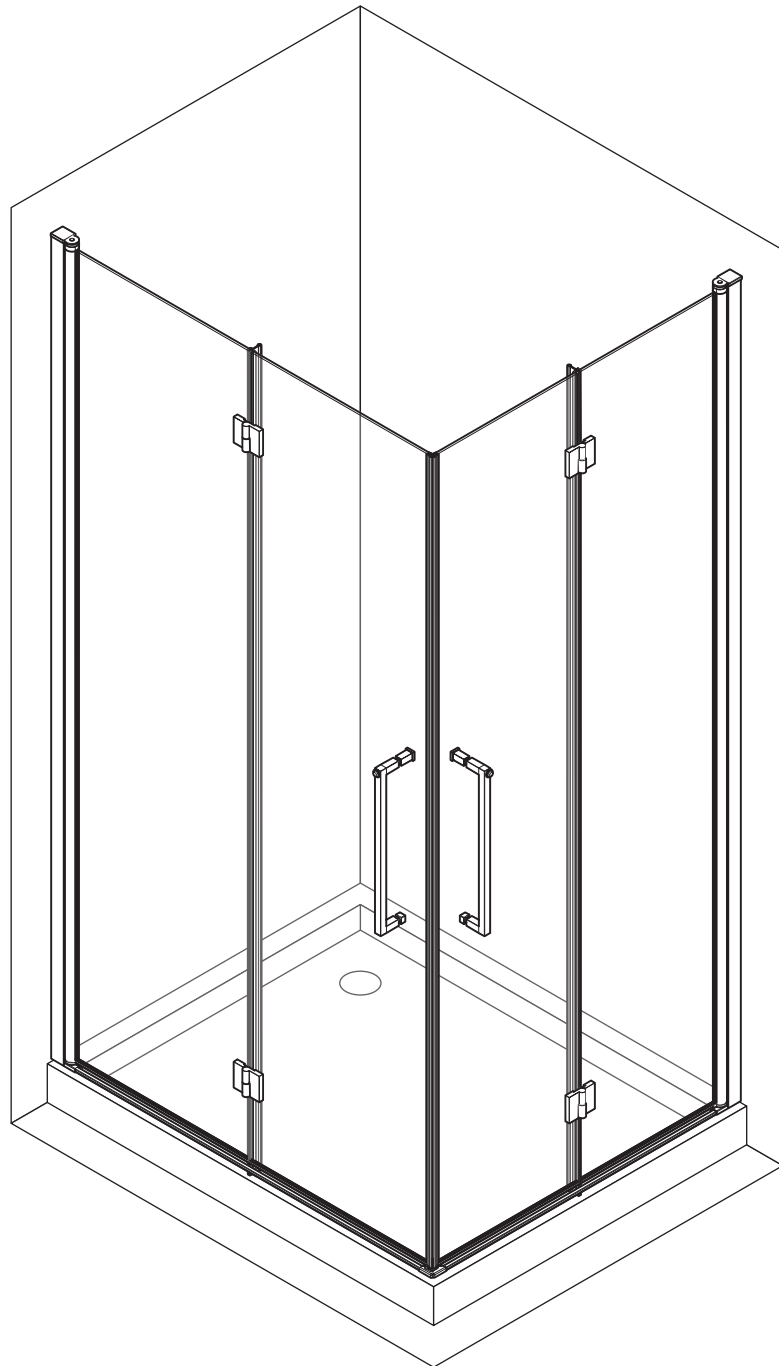
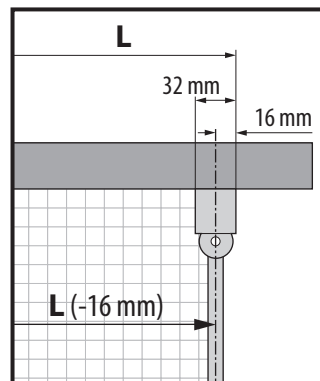
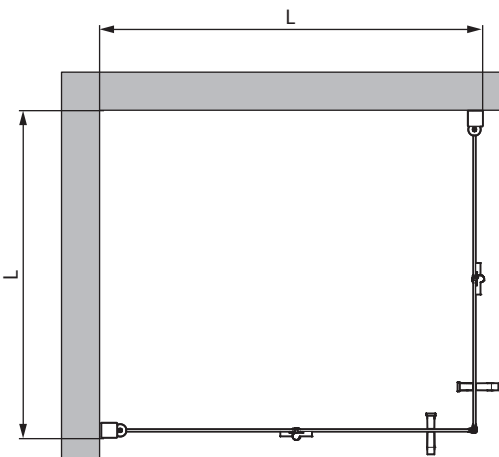
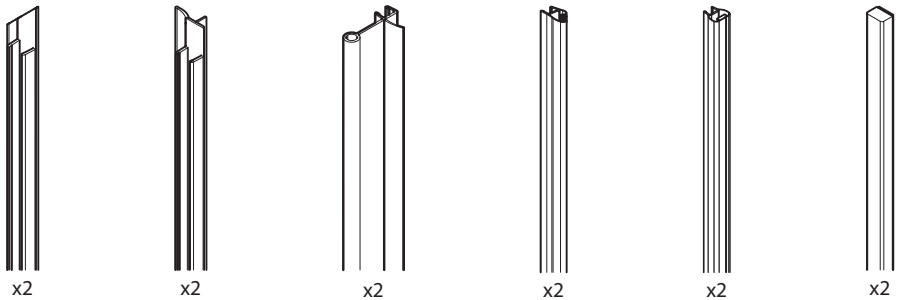
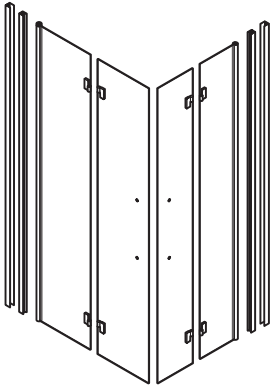
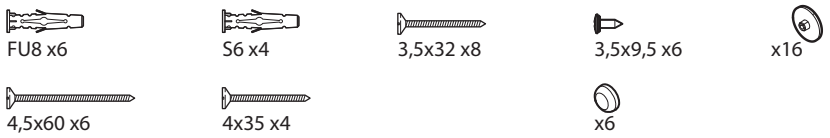
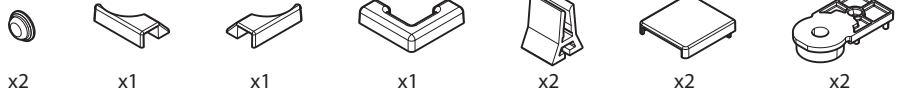
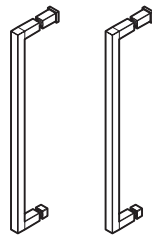
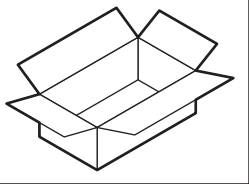
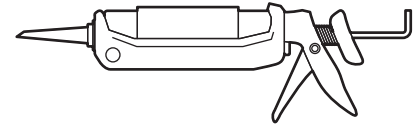
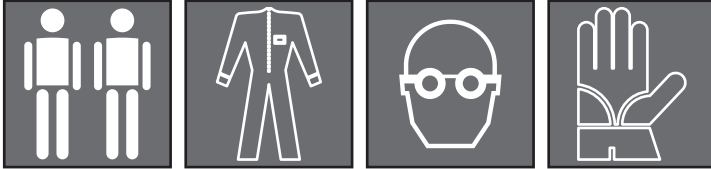
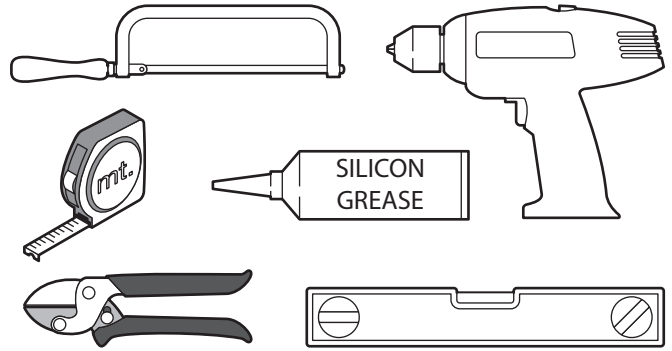
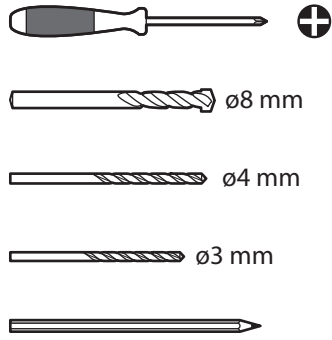
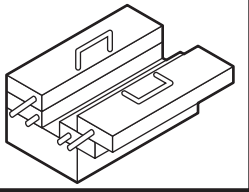
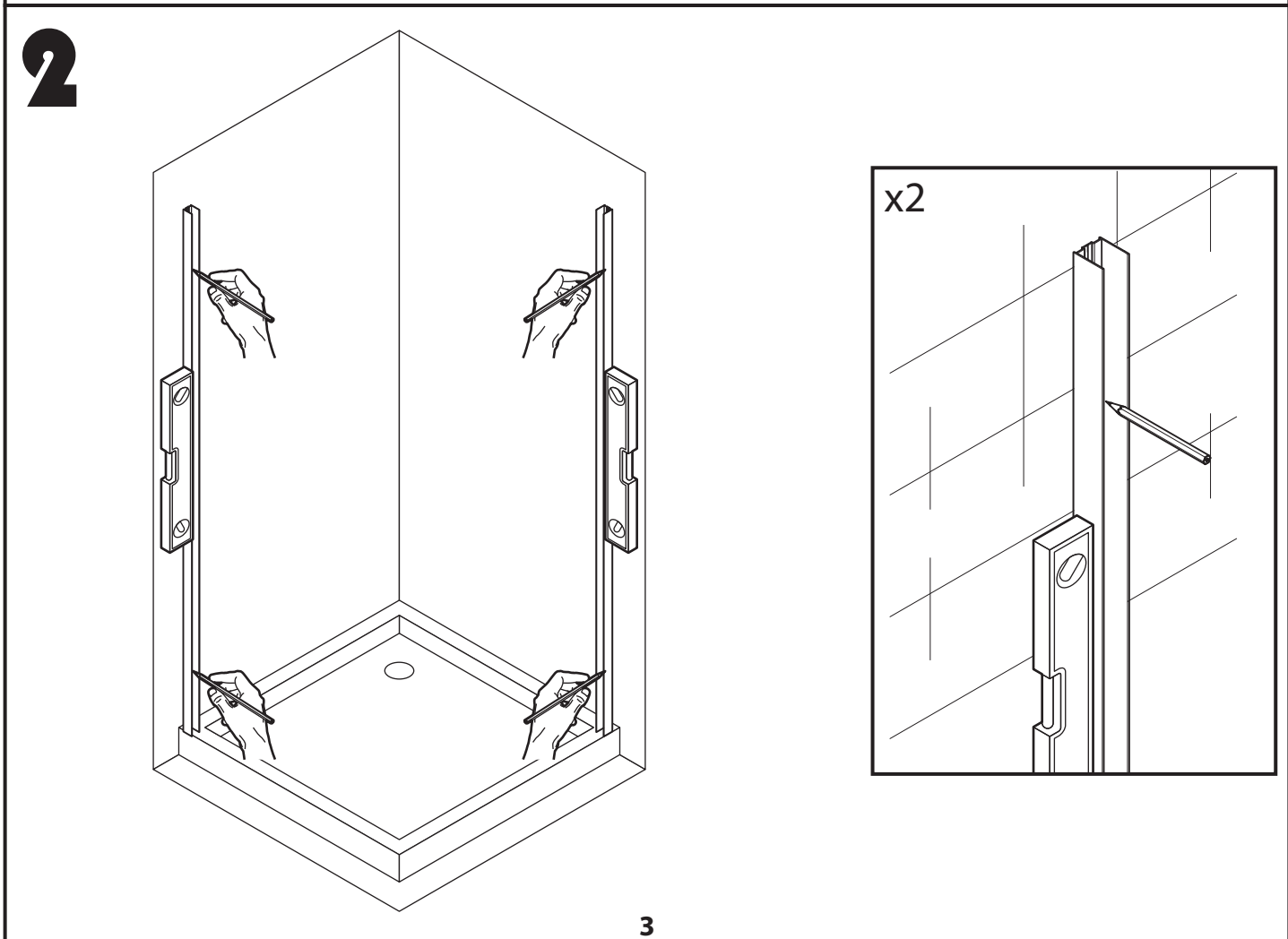
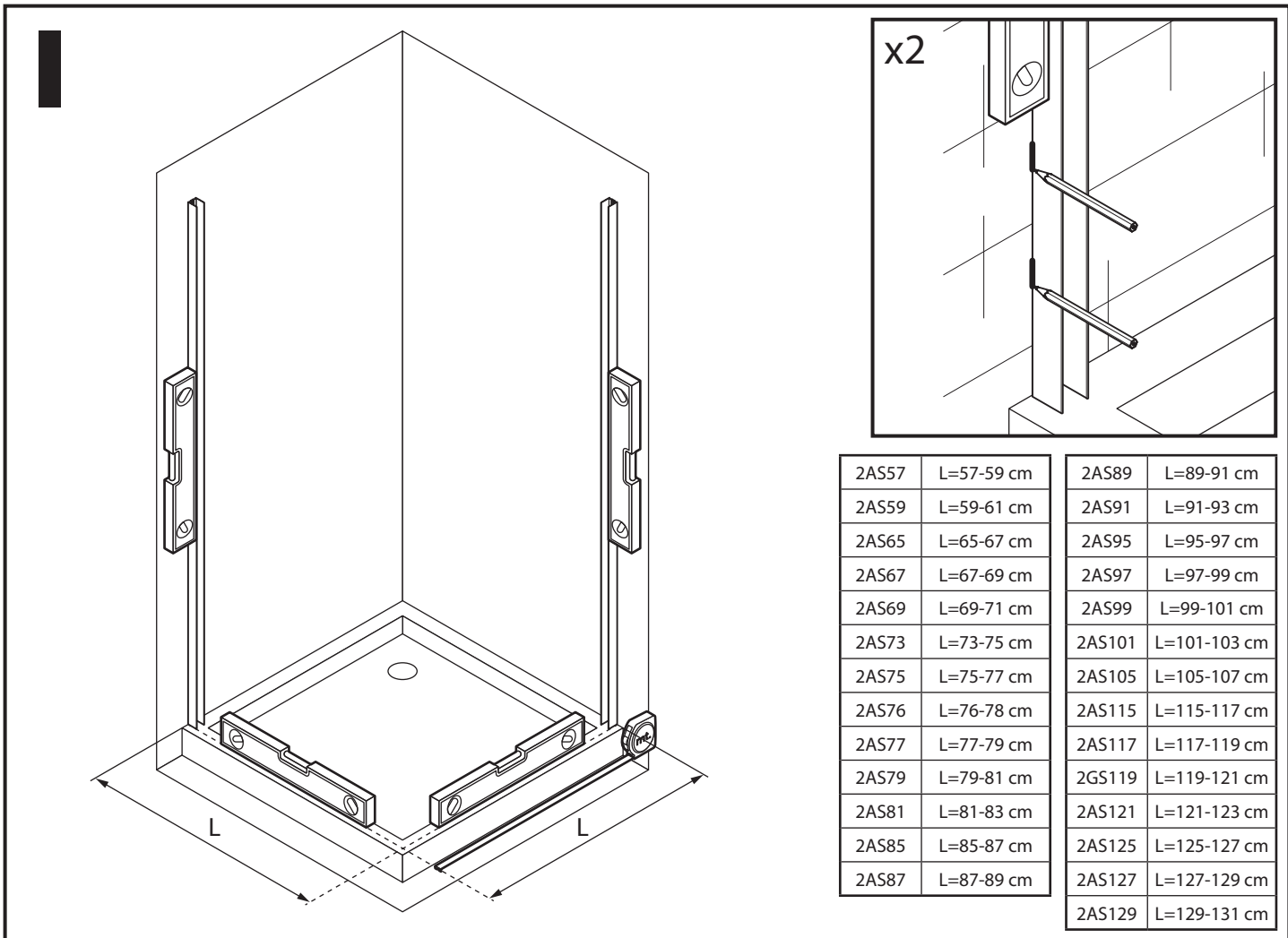


**2AS**

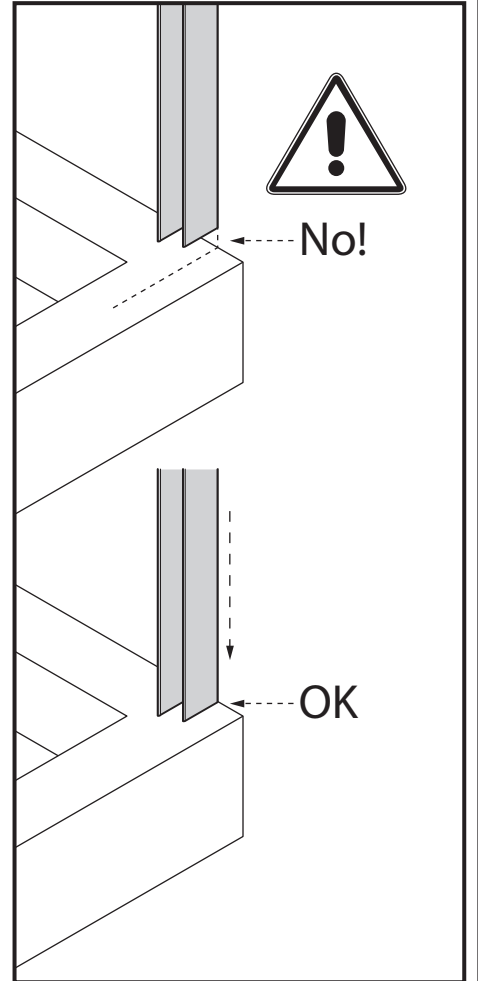
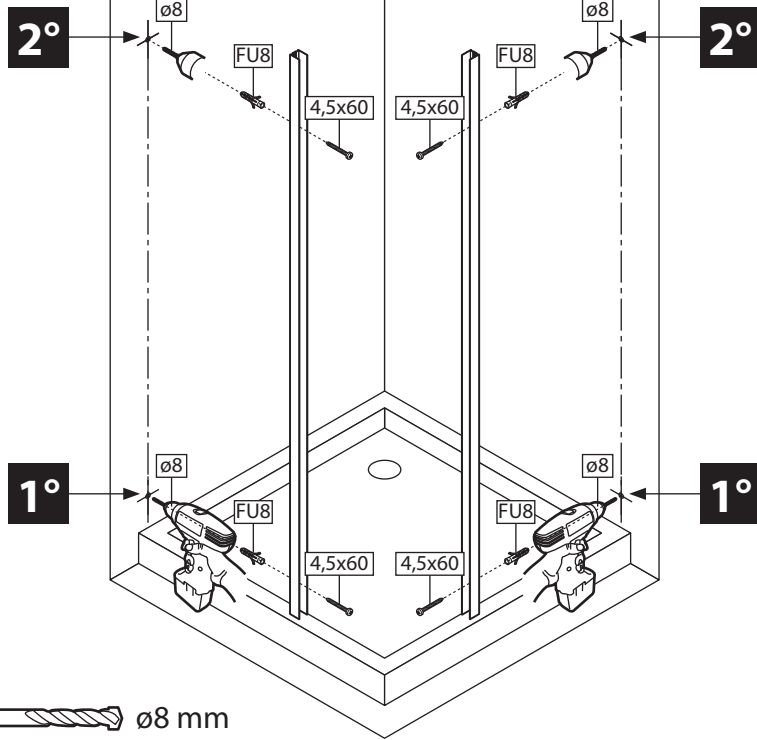


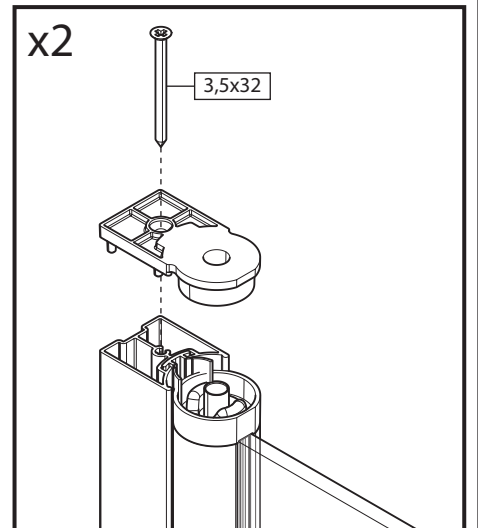
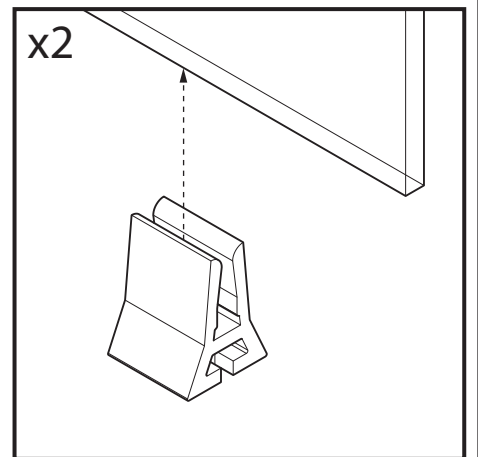
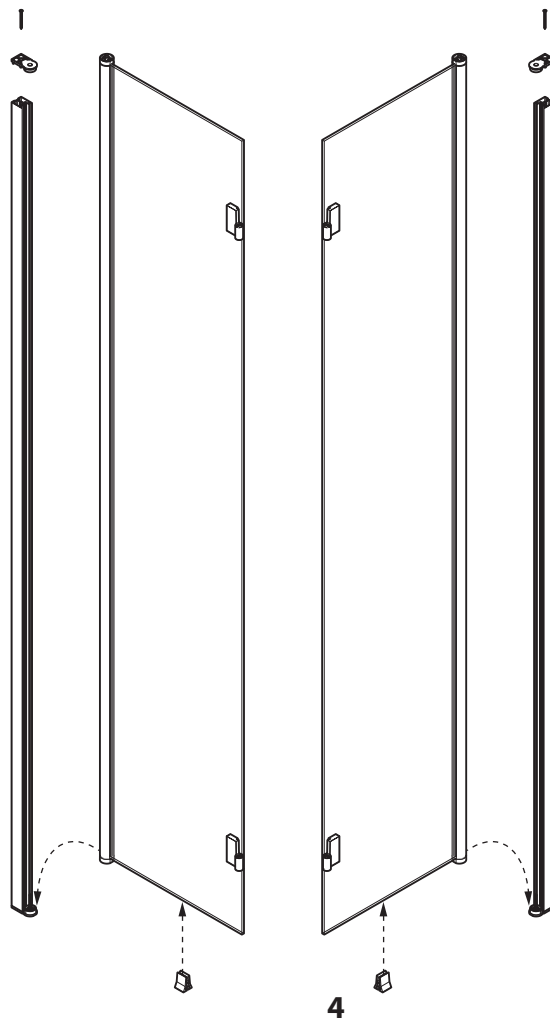
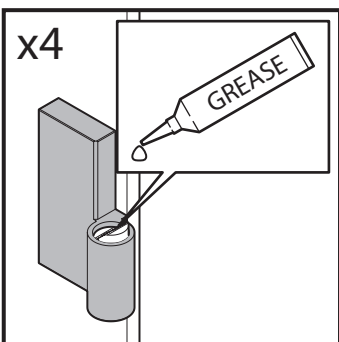
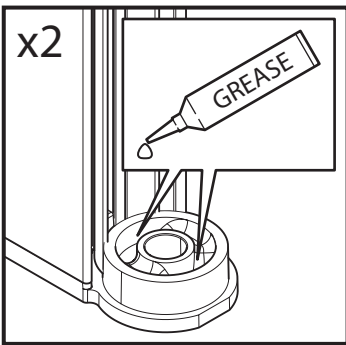
2AS57	L=57-59 cm	2AS89	L=89-91 cm
2AS59	L=59-61 cm	2AS91	L=91-93 cm
2AS65	L=65-67 cm	2AS95	L=95-97 cm
2AS67	L=67-69 cm	2AS97	L=97-99 cm
2AS69	L=69-71 cm	2AS99	L=99-101 cm
2AS73	L=73-75 cm	2AS101	L=101-103 cm
2AS75	L=75-77 cm	2AS105	L=105-107 cm
2AS76	L=76-78 cm	2AS115	L=115-117 cm
2AS77	L=77-79 cm	2AS117	L=117-119 cm
2AS79	L=79-81 cm	2GS119	L=119-121 cm
2AS81	L=81-83 cm	2AS121	L=121-123 cm
2AS85	L=85-87 cm	2AS125	L=125-127 cm
2AS87	L=87-89 cm	2AS127	L=127-129 cm
		2AS129	L=129-131 cm



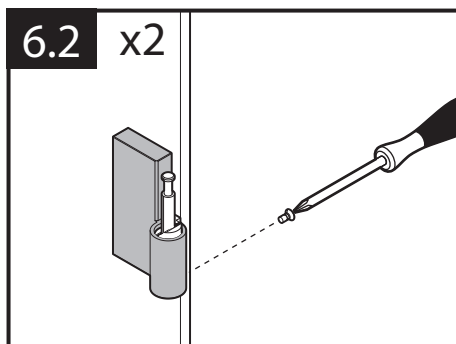
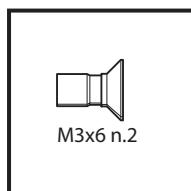
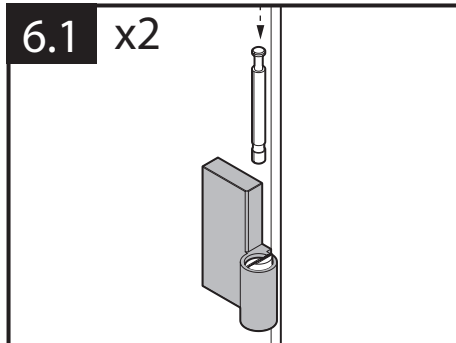
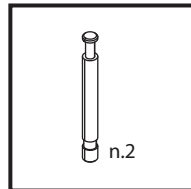
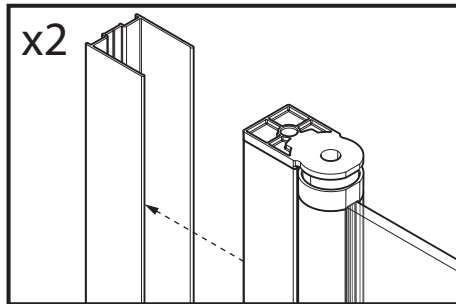
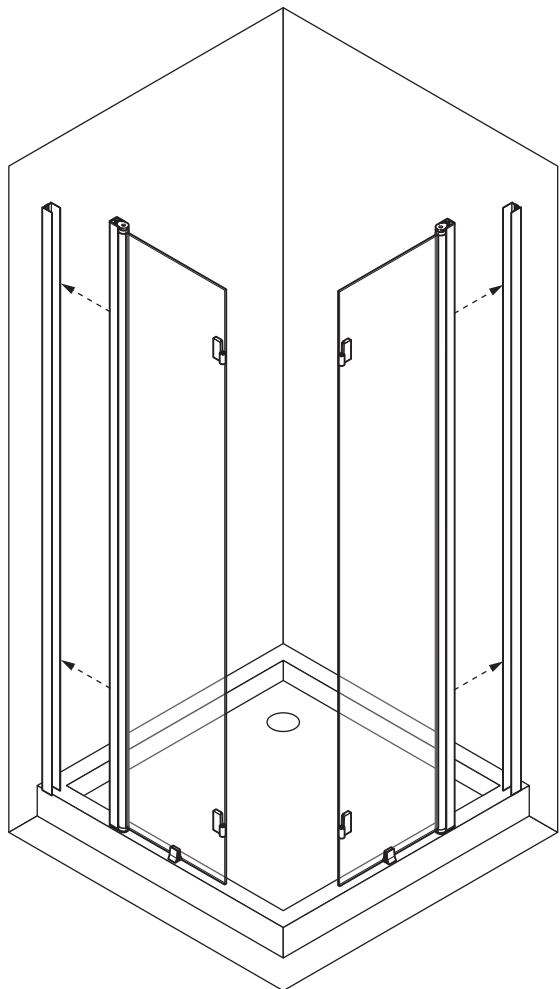
# 3



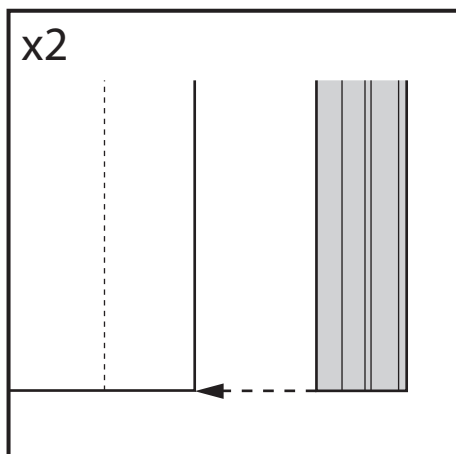
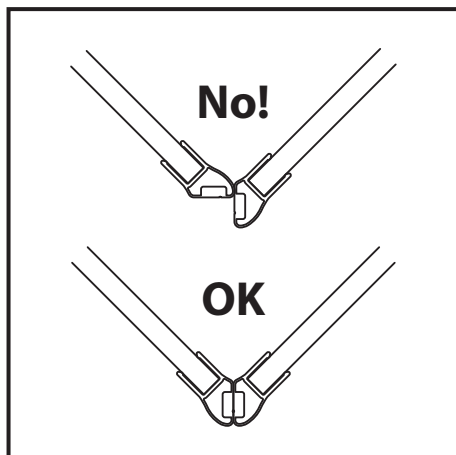
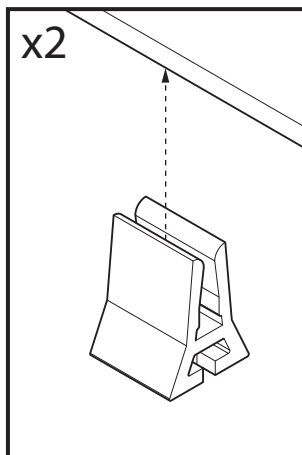
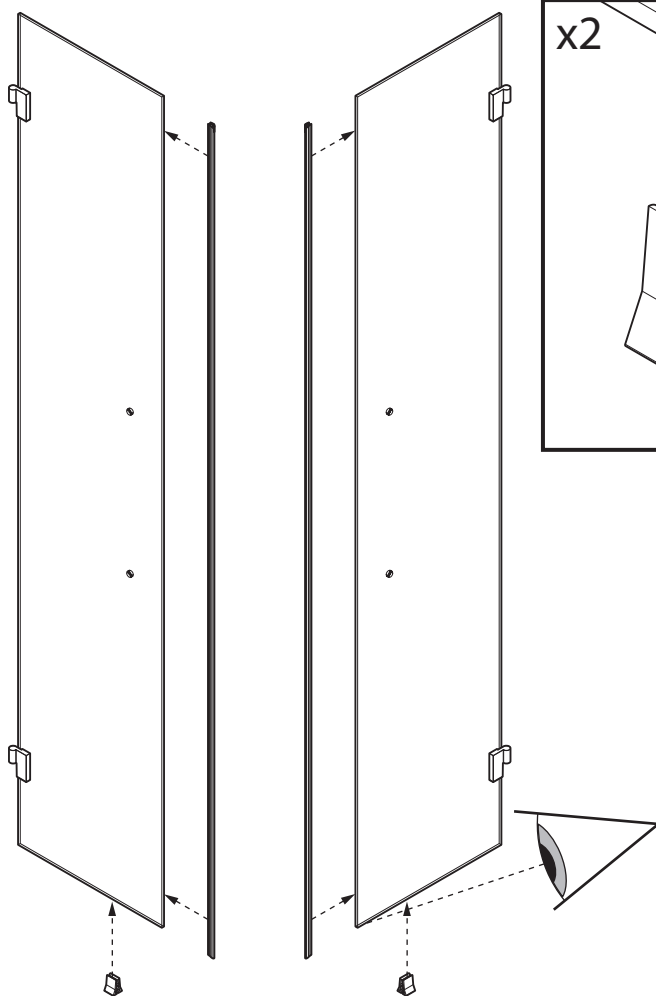
# 4



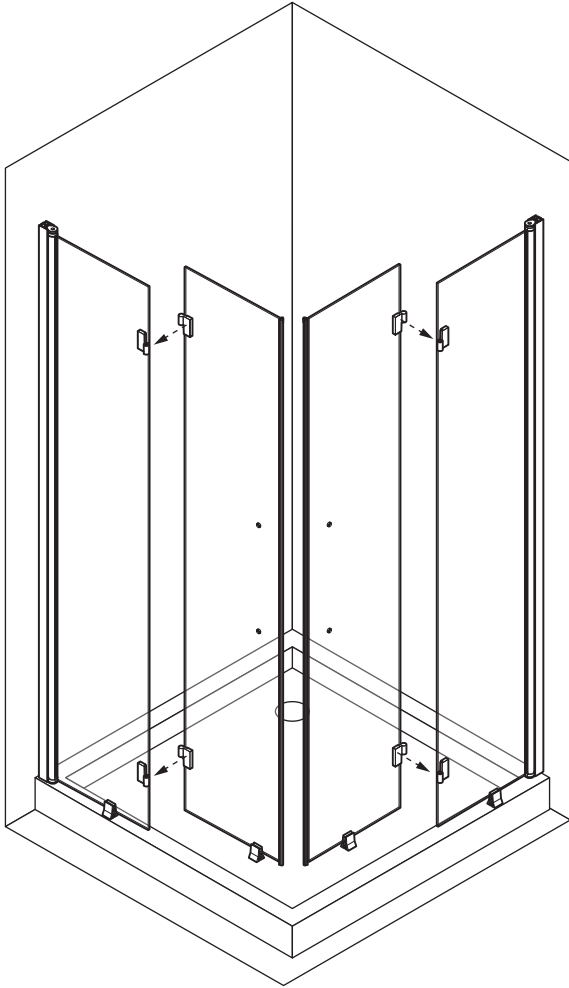
**5**



**6**

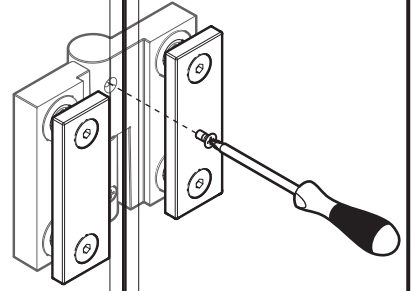


7

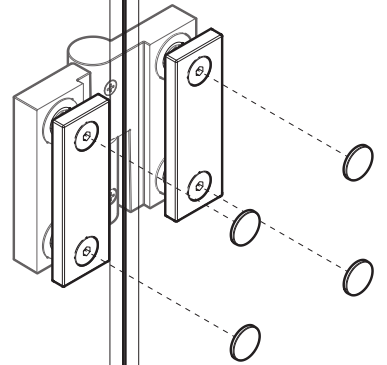


M3x6 x4

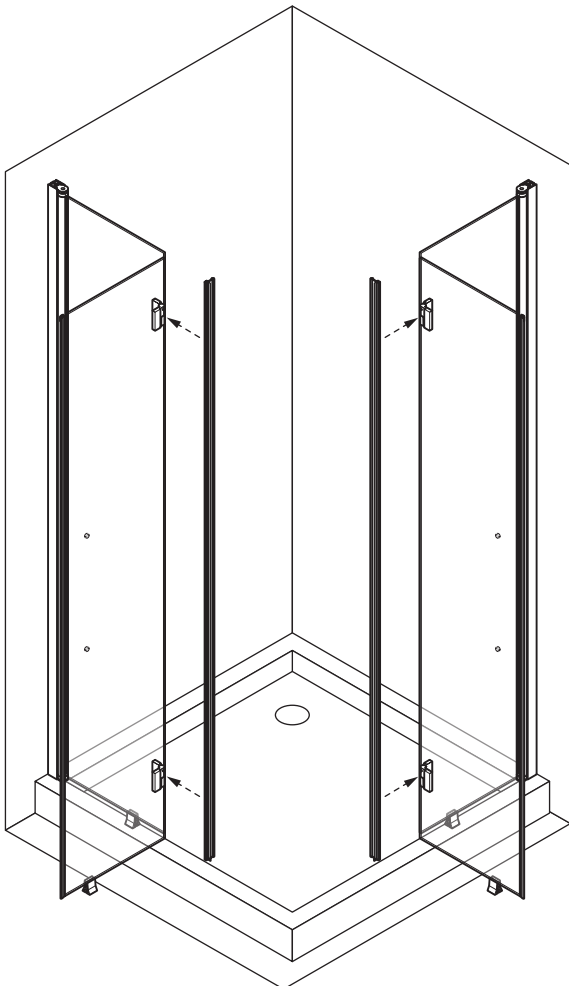
x4



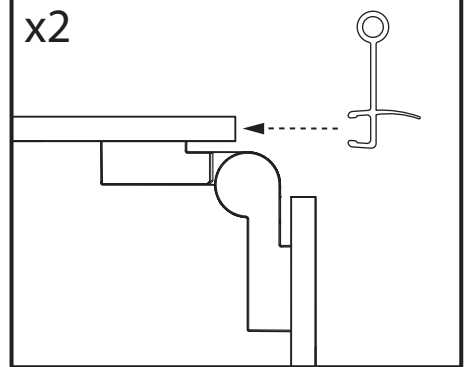
x16



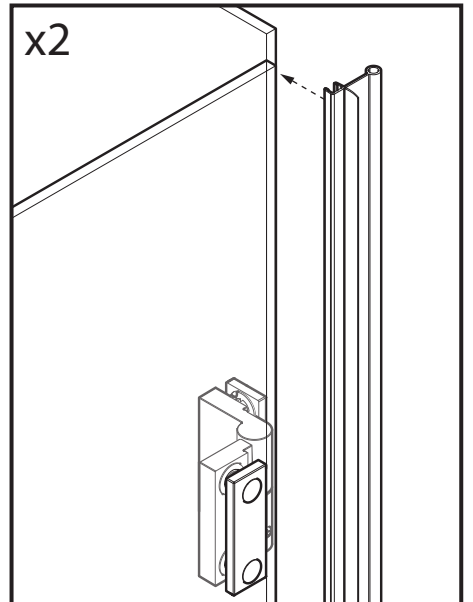
8



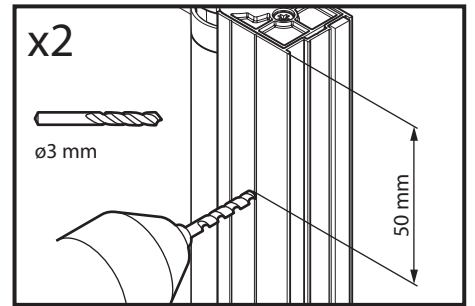
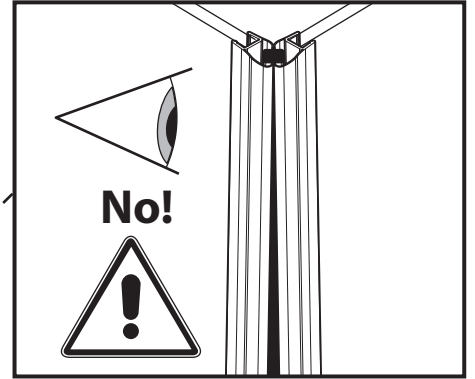
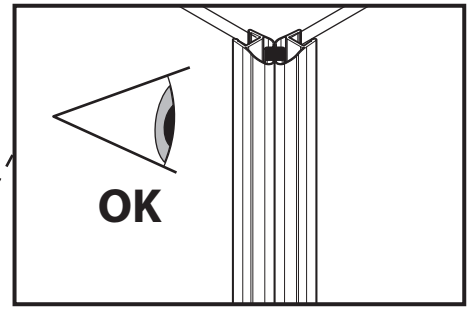
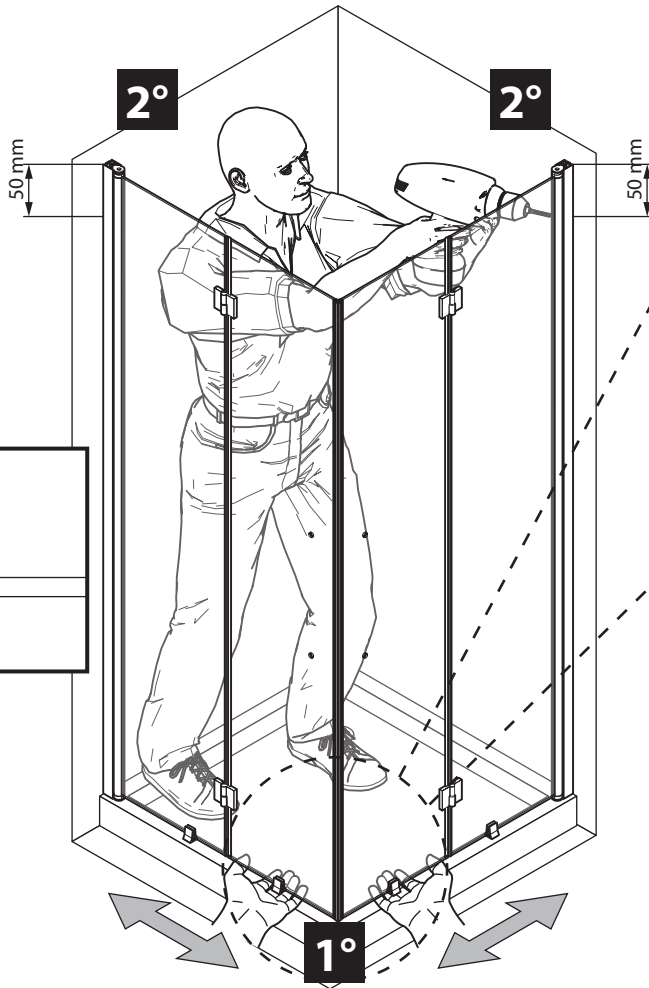
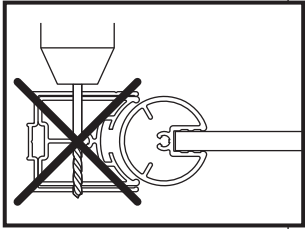
x2



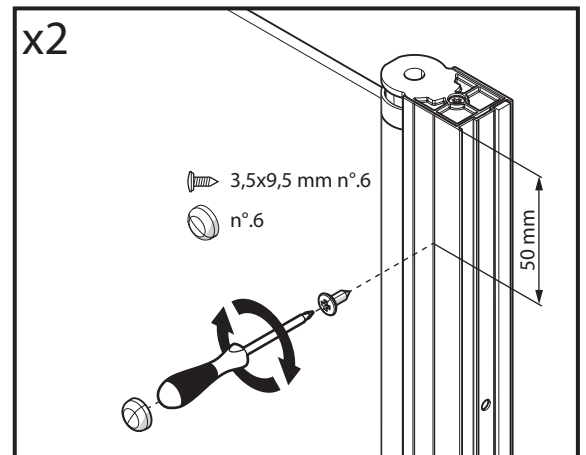
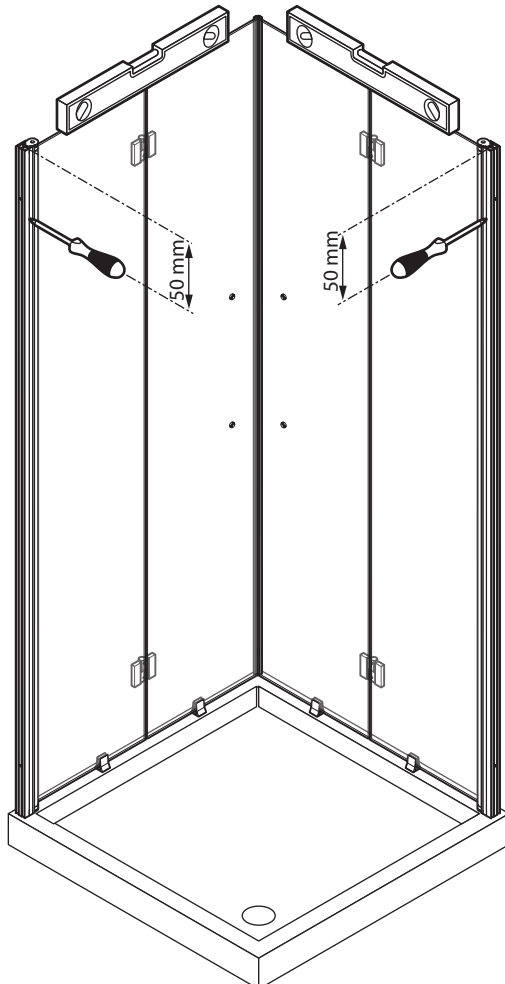
x2



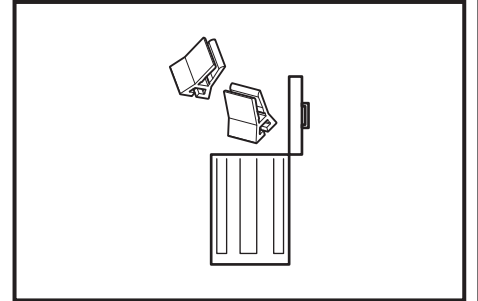
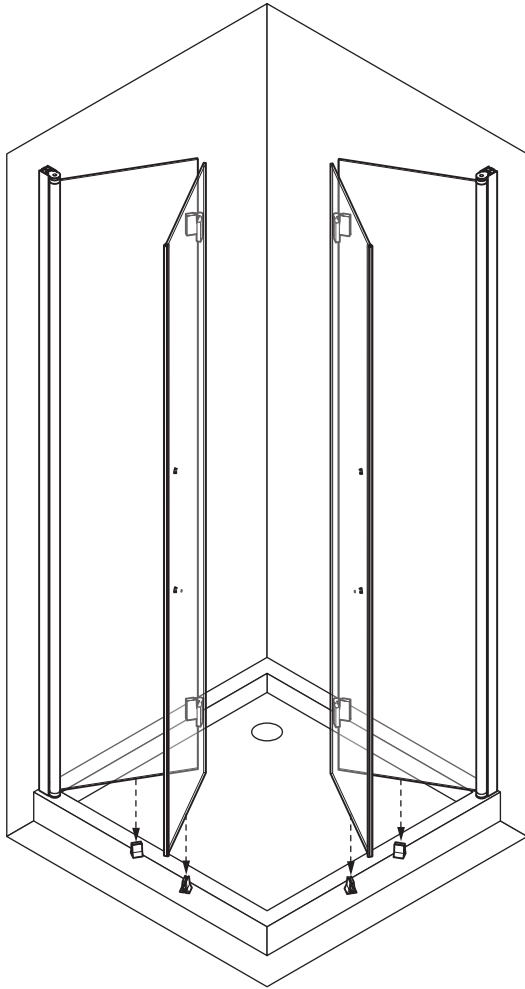
# 9



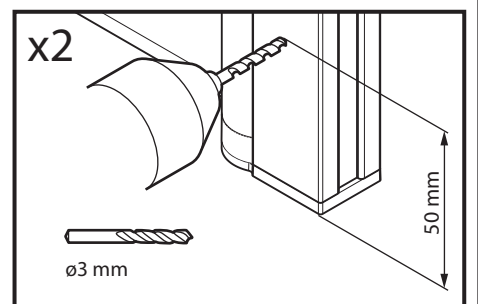
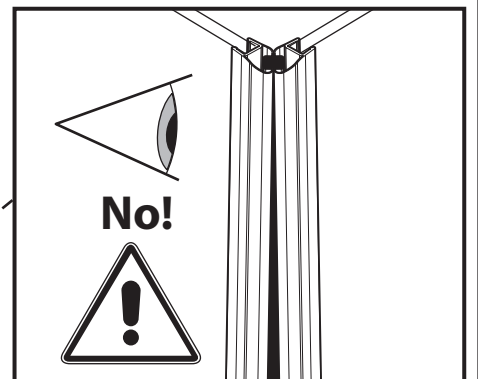
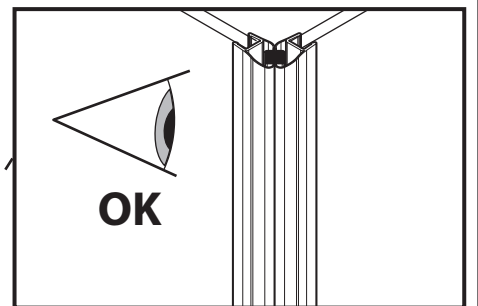
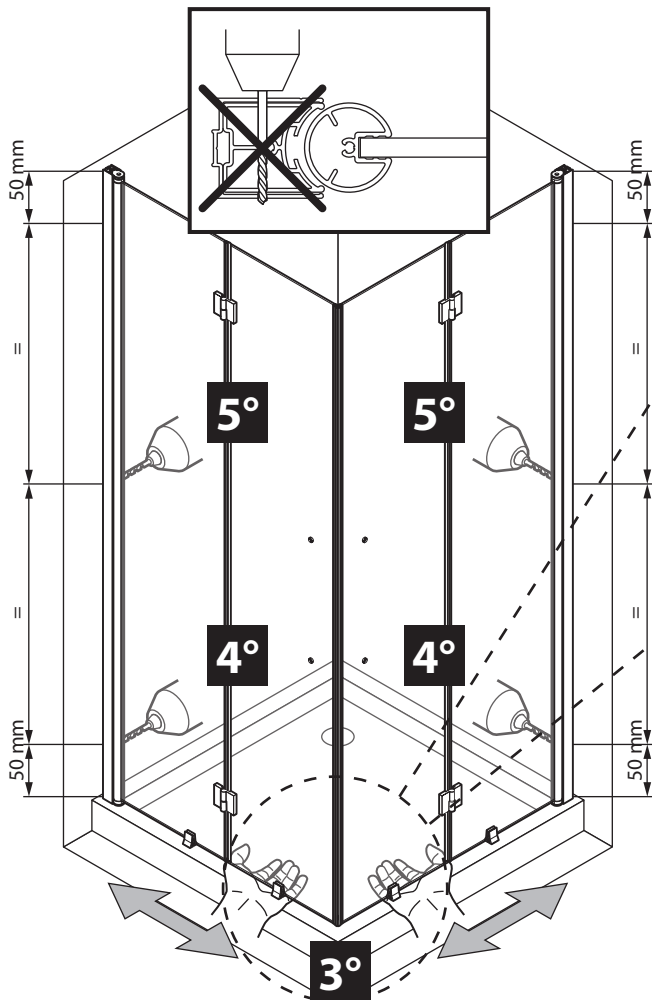
# 10



**11**



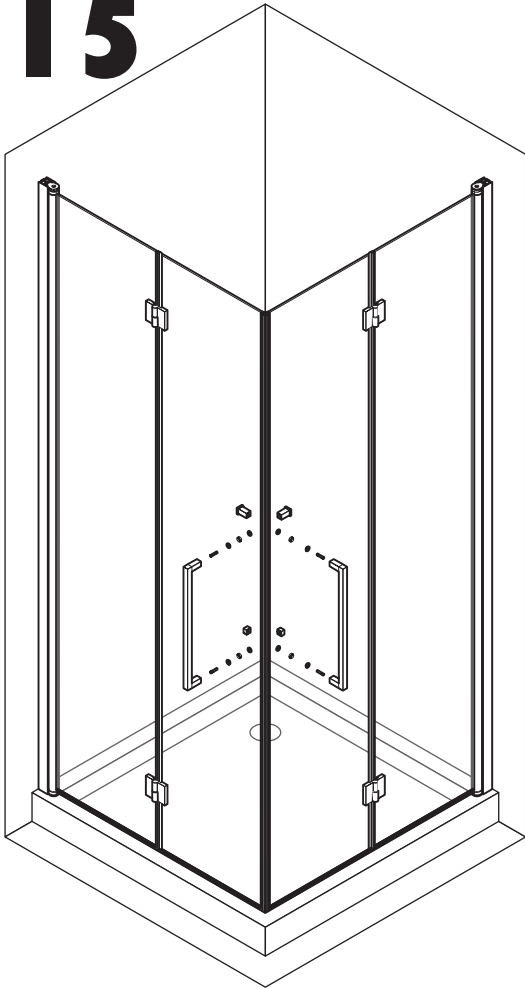
**12**





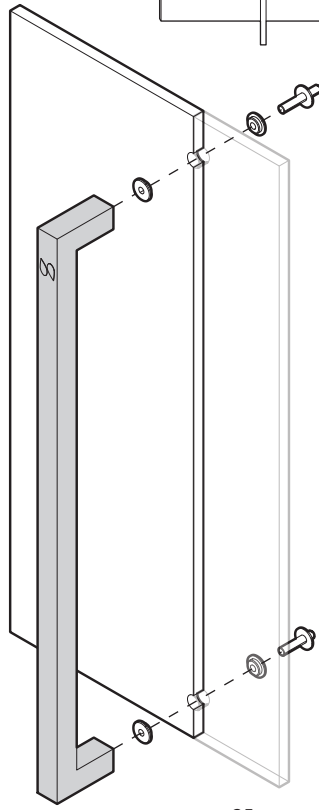


# 15



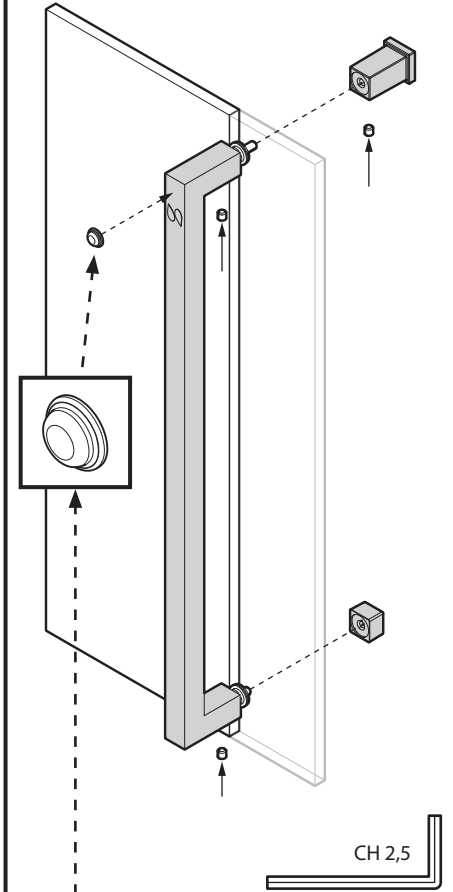
x2

31 mm



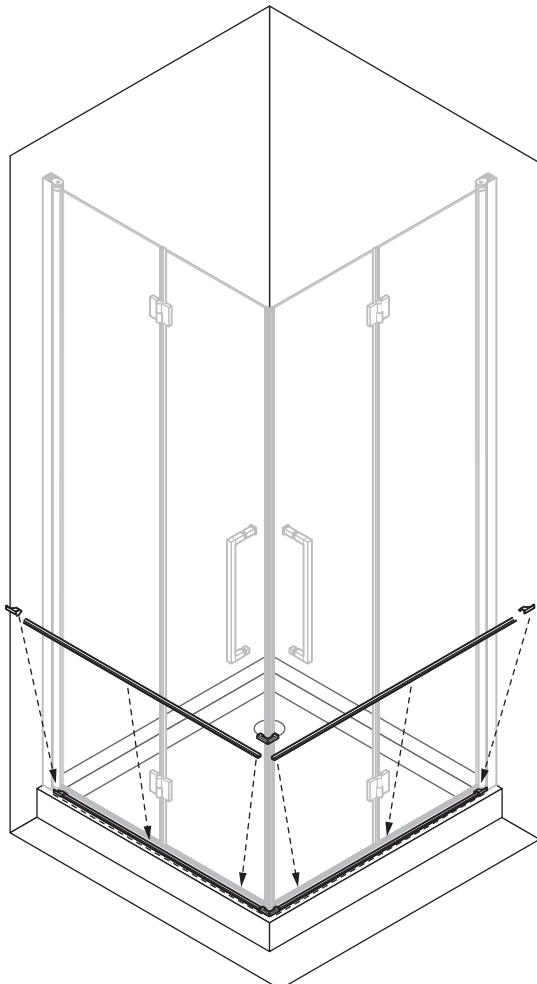
25 mm

x2

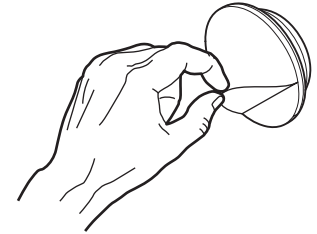


CH 2,5

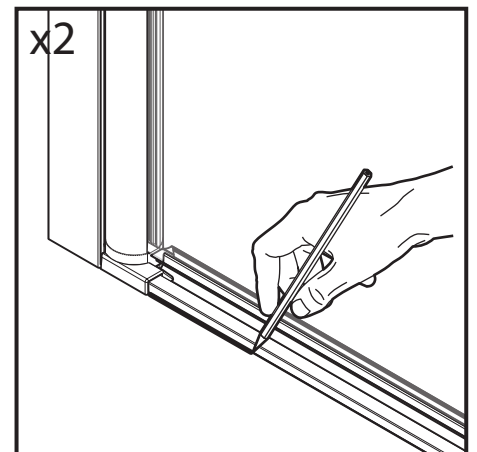
# 16



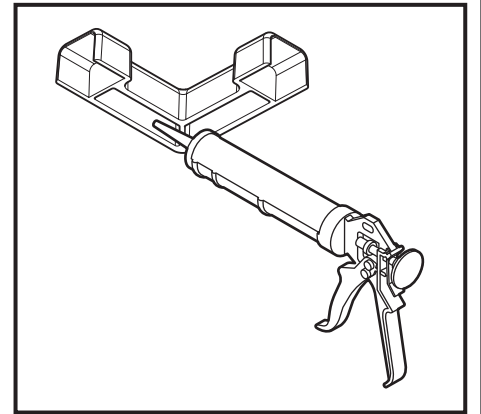
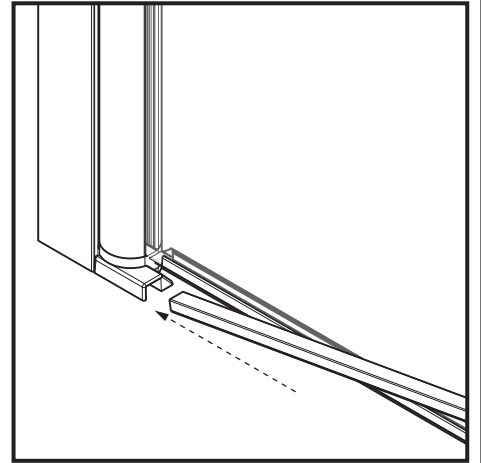
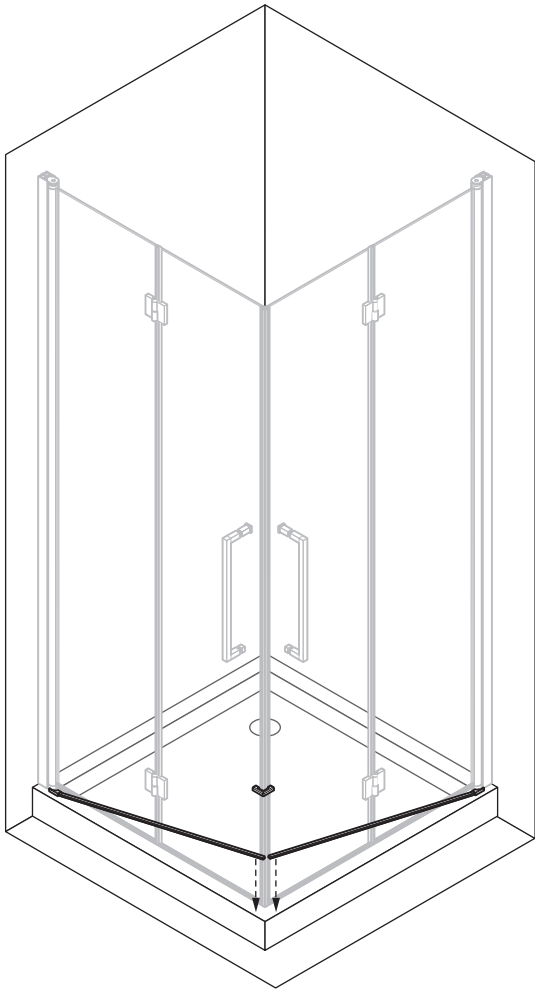
x2



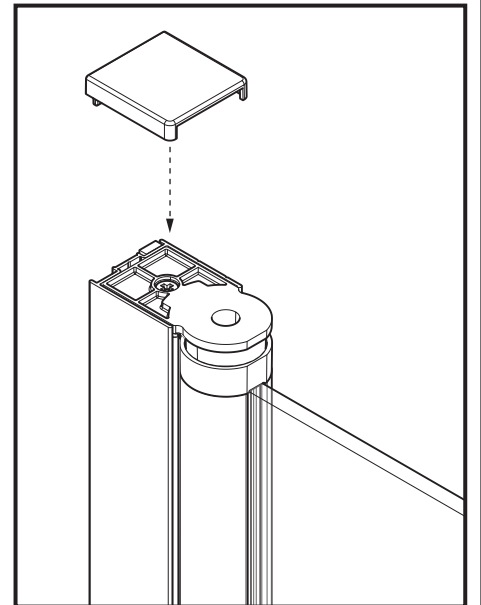
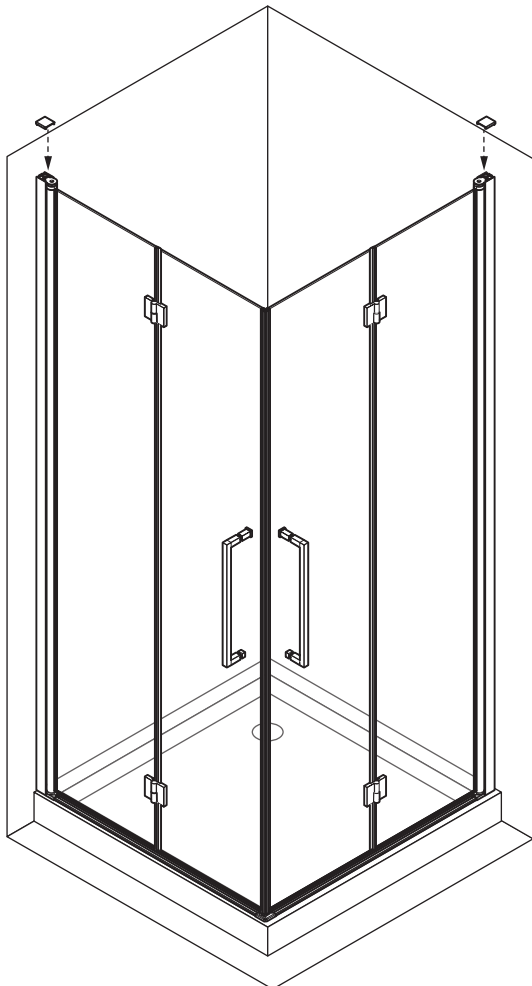
x2



# 17



# 18



# 19

