

x1



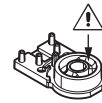
x1



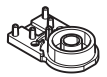
x1



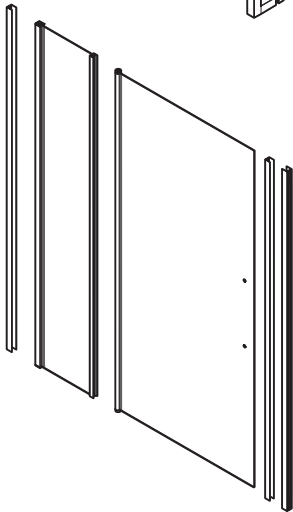
x2



x1



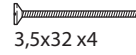
x1



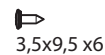
FU8 x6



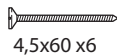
S6 x2



3,5x32 x4



3,5x9,5 x6



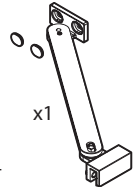
4,5x60 x6



4x35 x2



x6



x1



x1



x2



x1



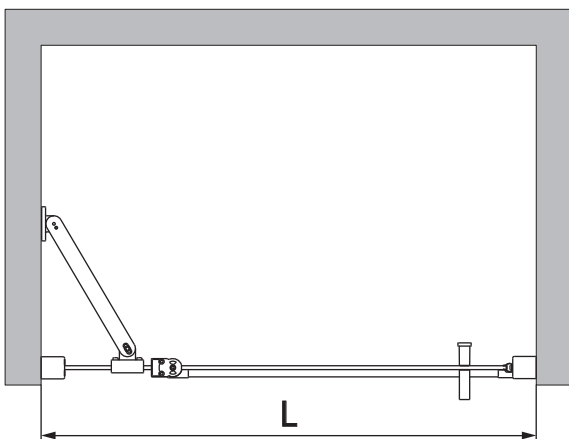
x1



x1

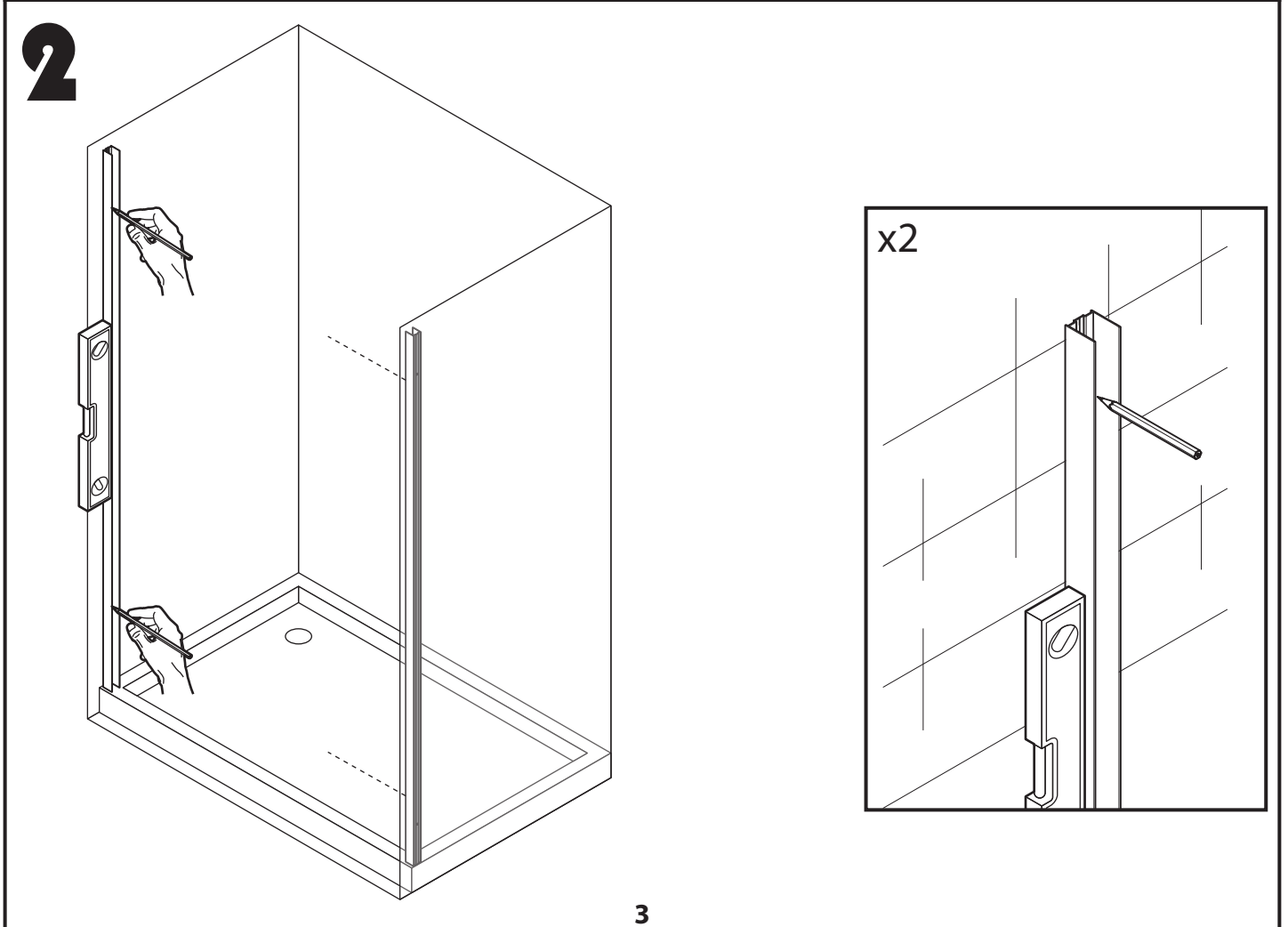
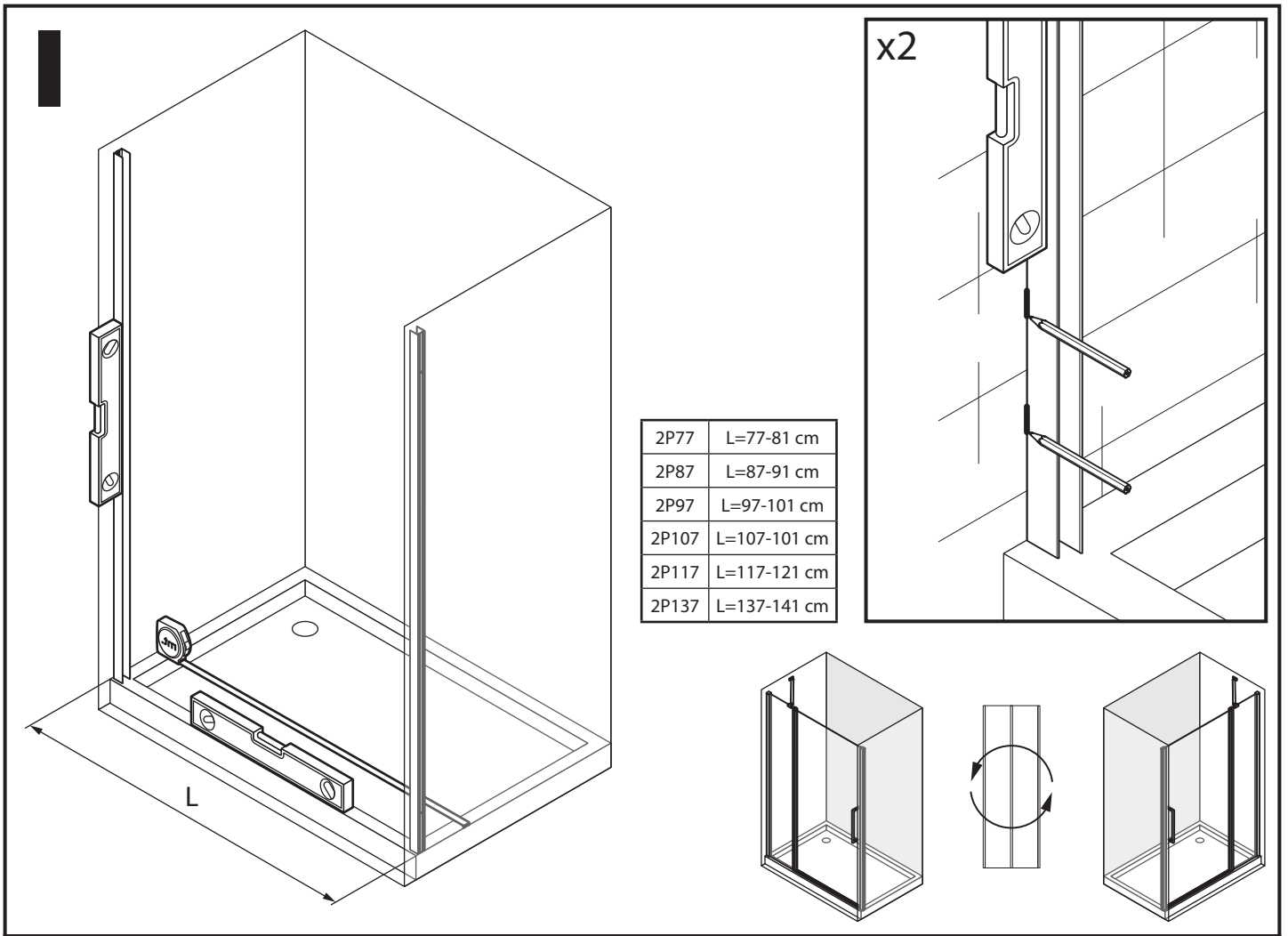


x1

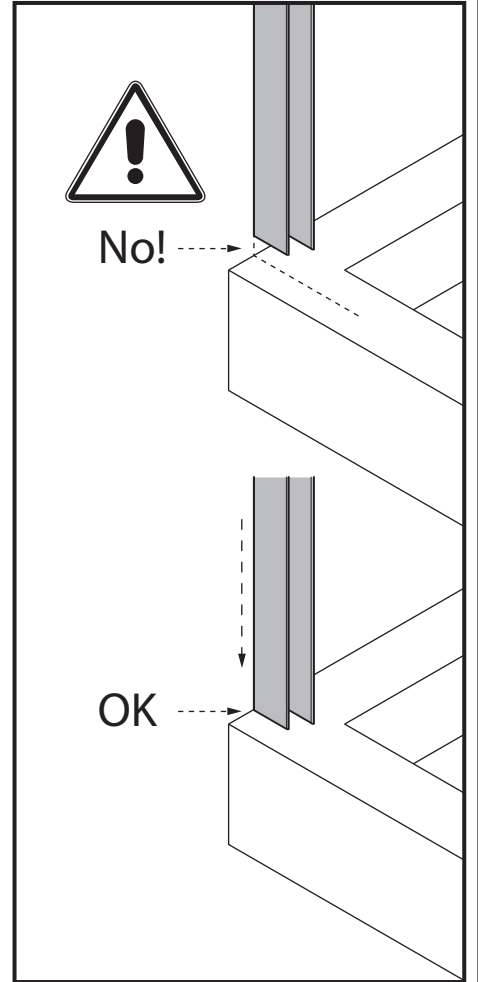
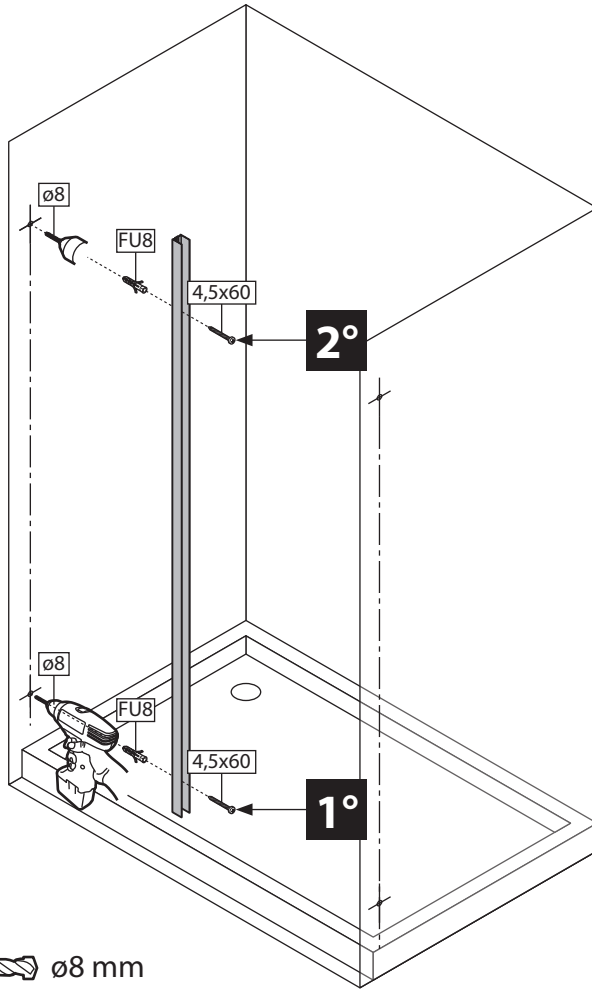


2P77	L=77-81 cm
2P87	L=87-91 cm
2P97	L=97-101 cm
2P107	L=107-101 cm
2P117	L=117-121 cm
2P137	L=137-141 cm

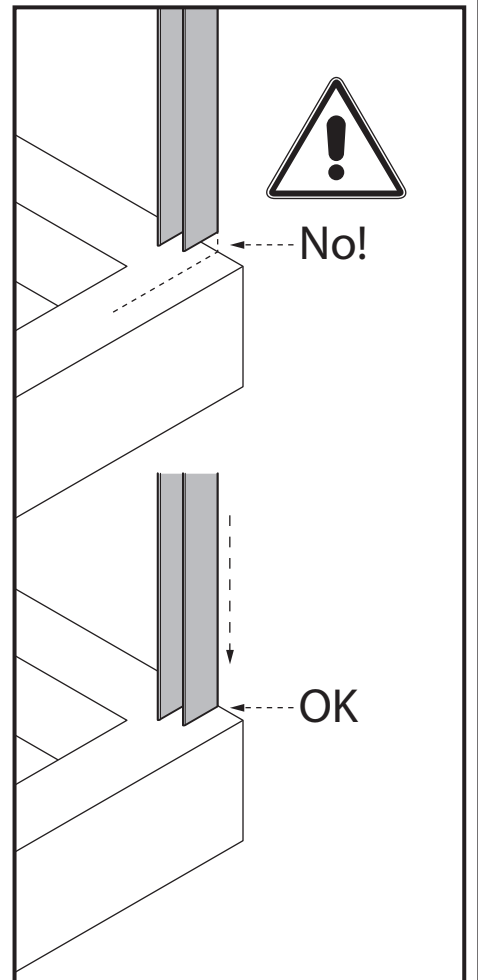
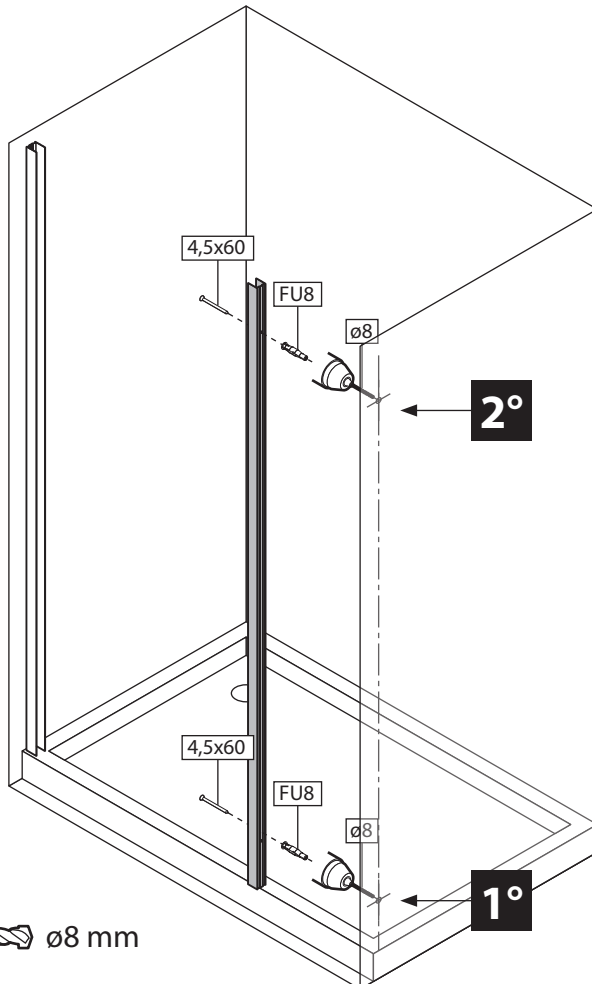




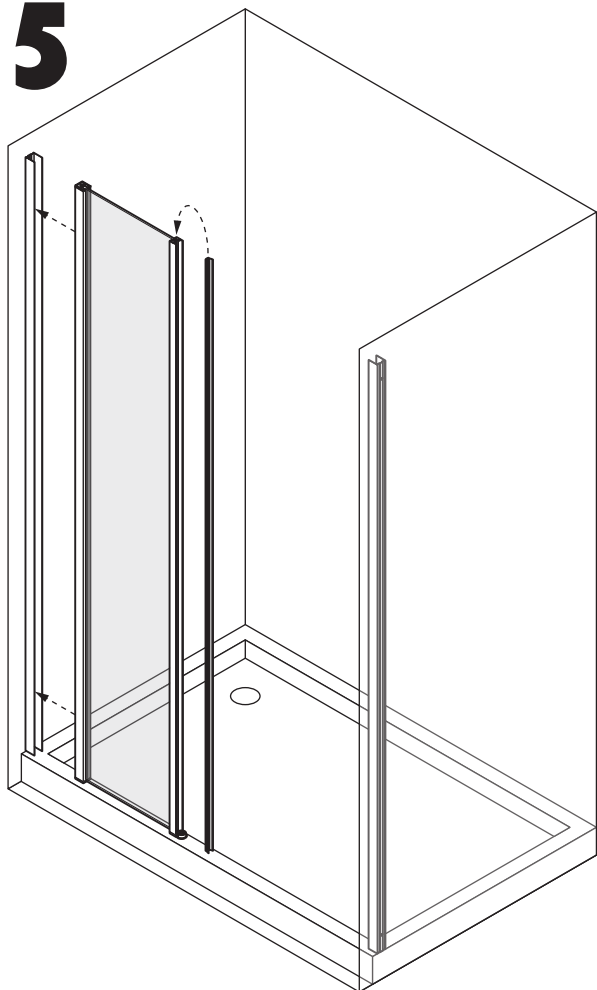
3



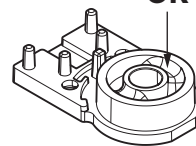
4



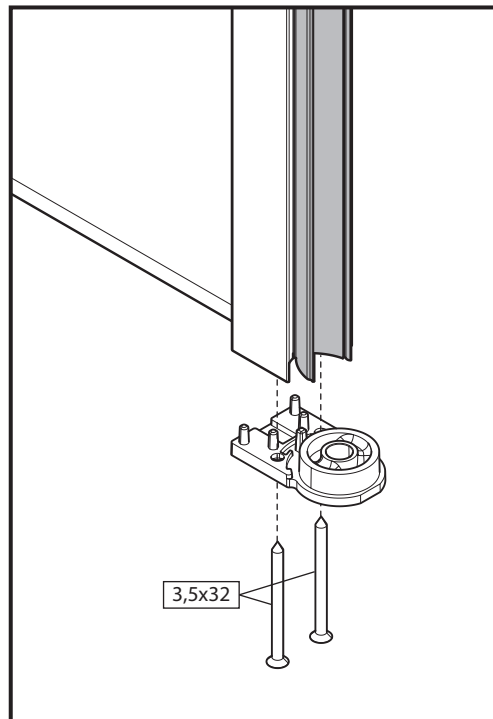
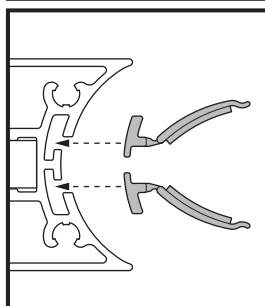
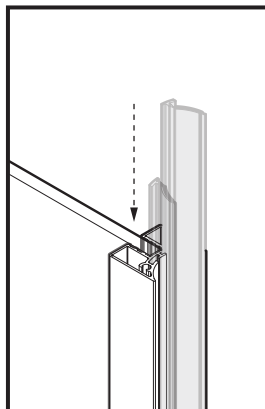
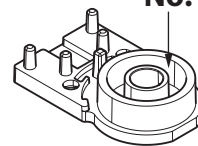
5



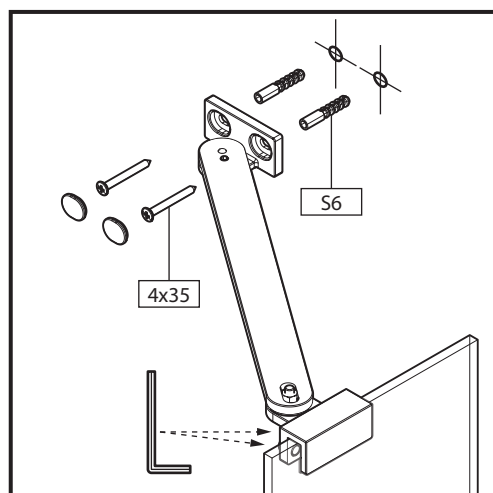
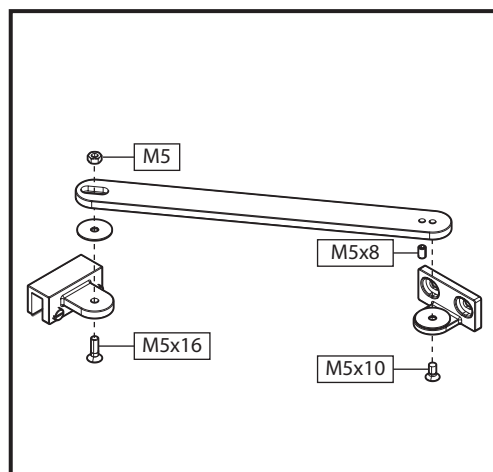
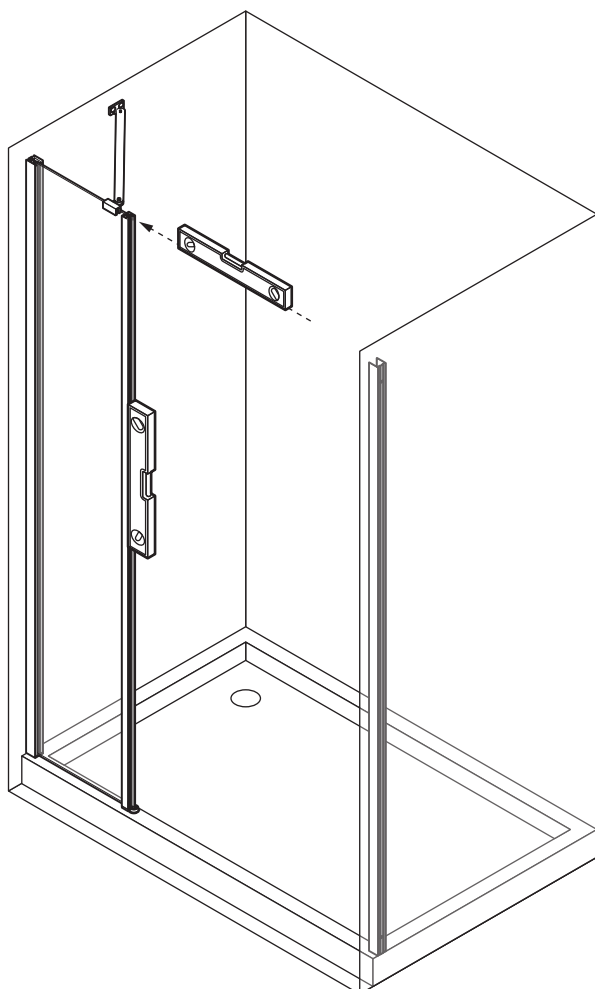
OK



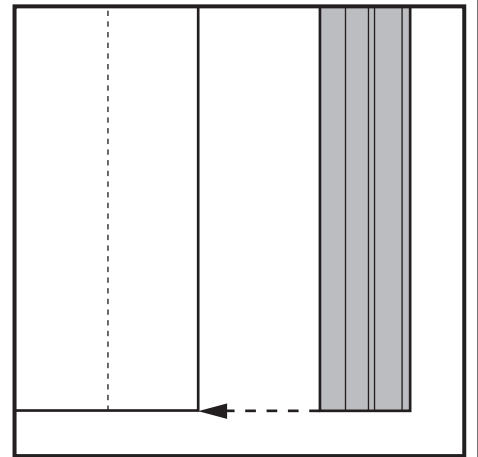
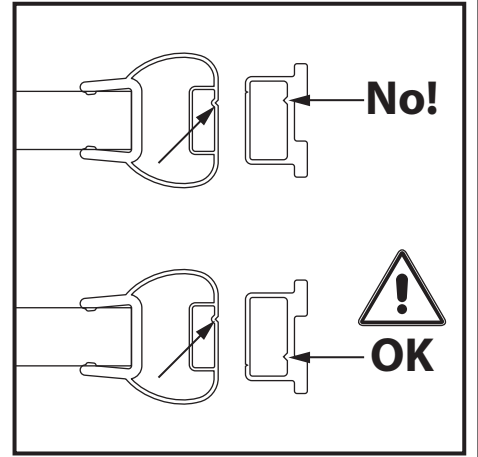
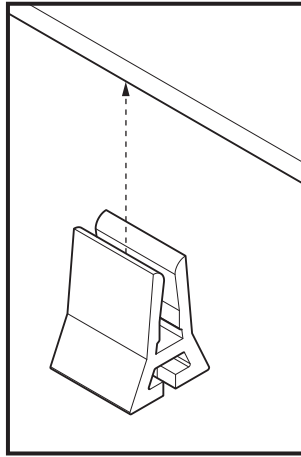
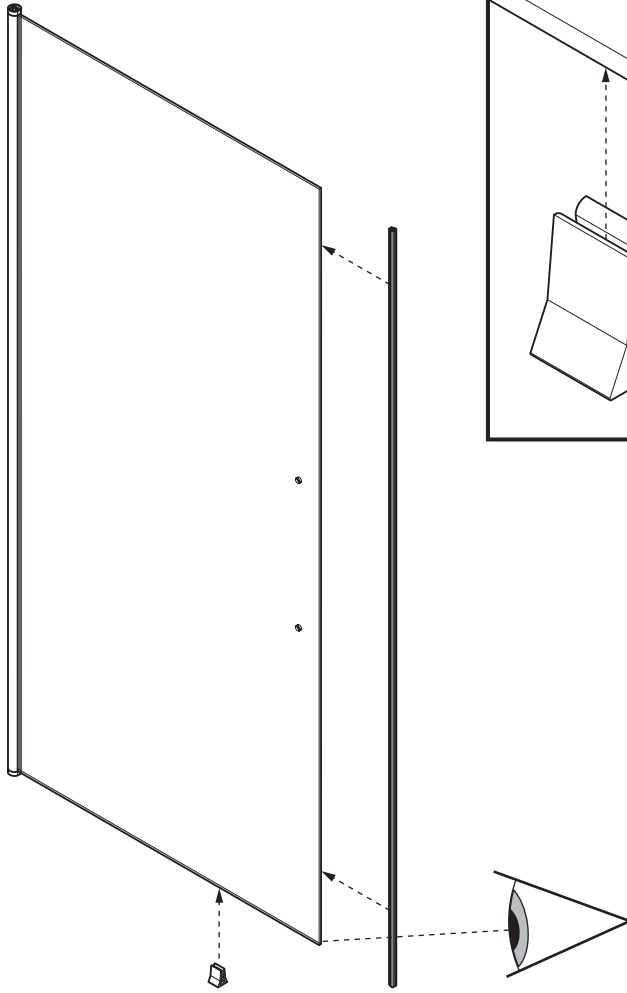
No!



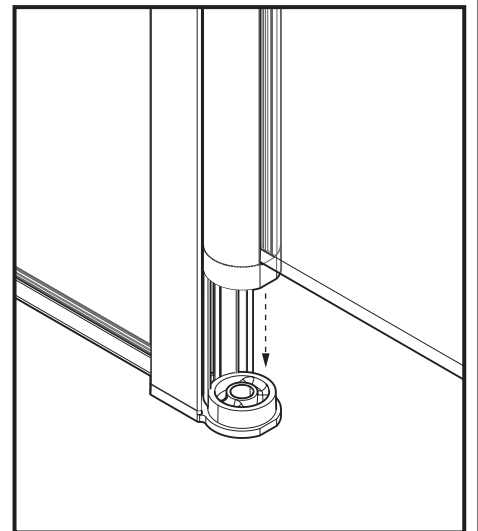
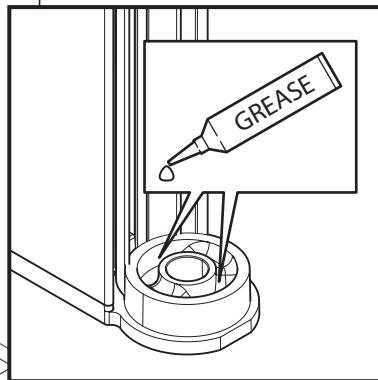
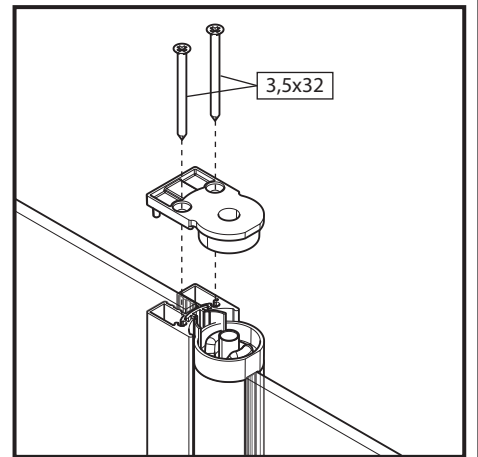
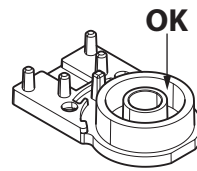
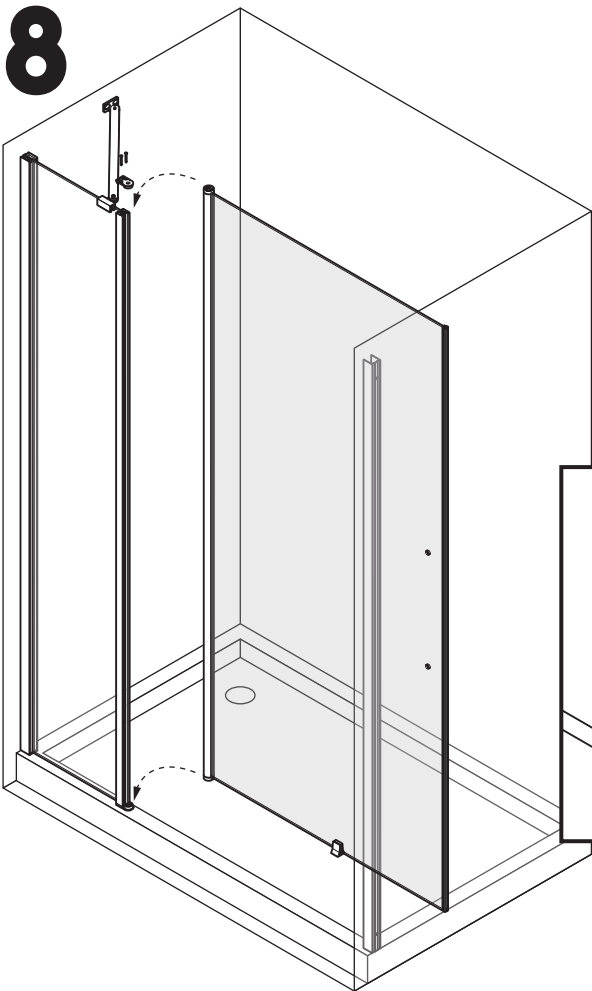
6



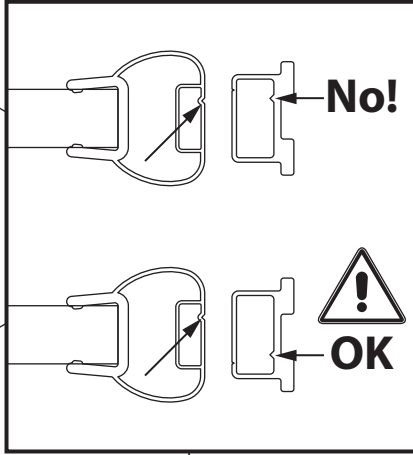
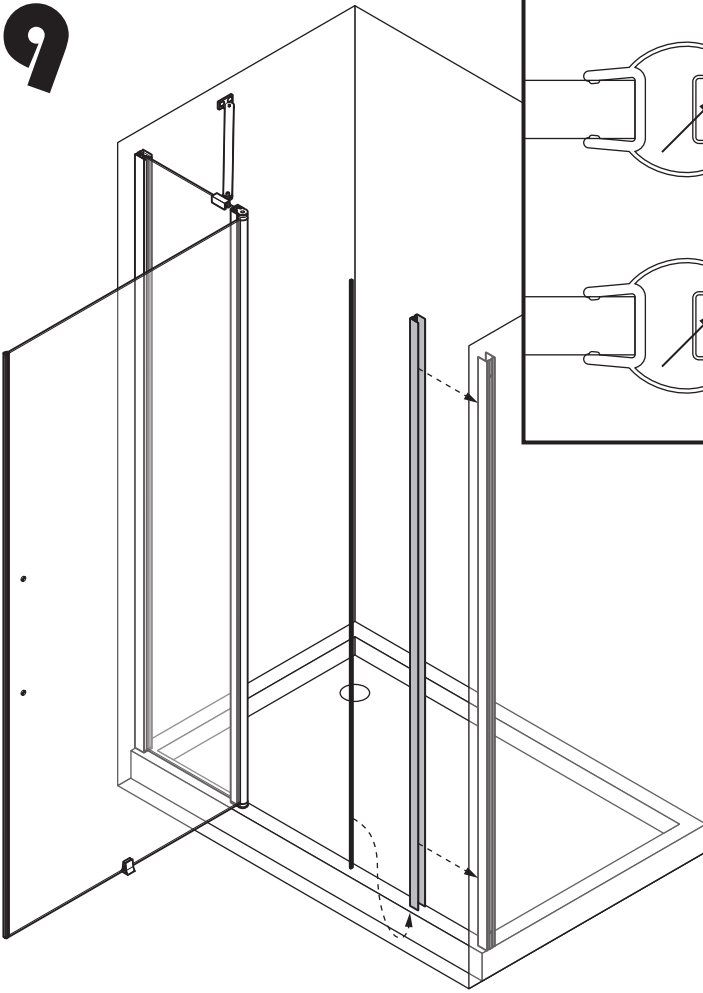
7



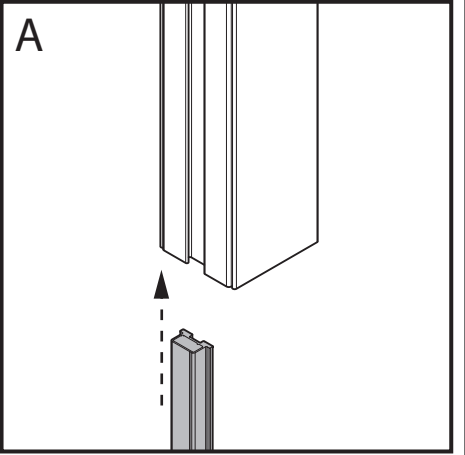
8



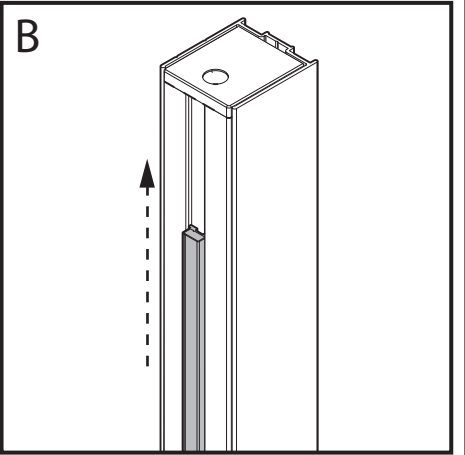
9



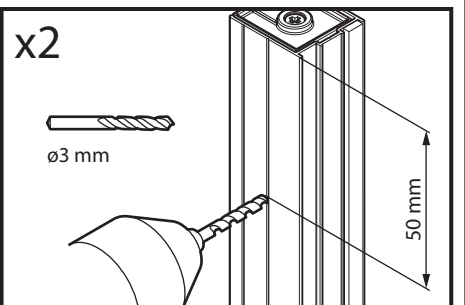
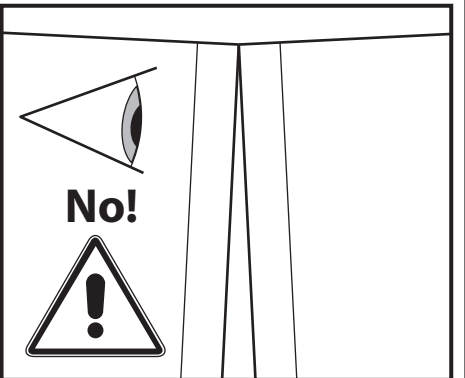
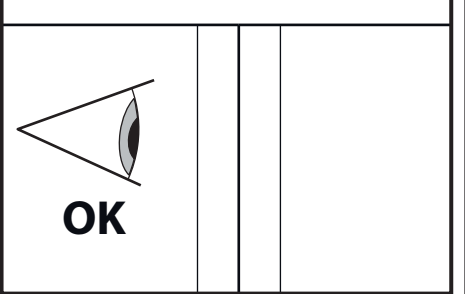
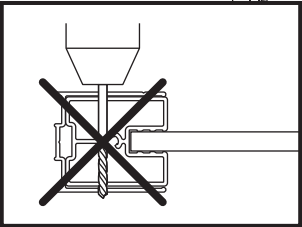
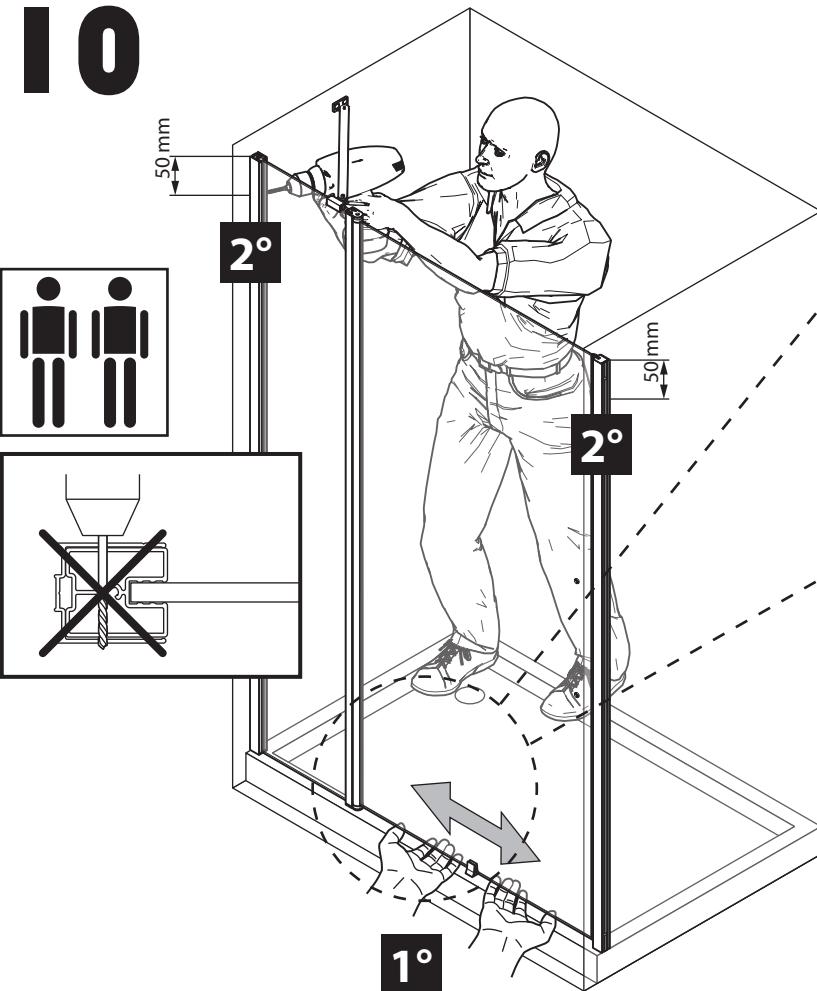
A

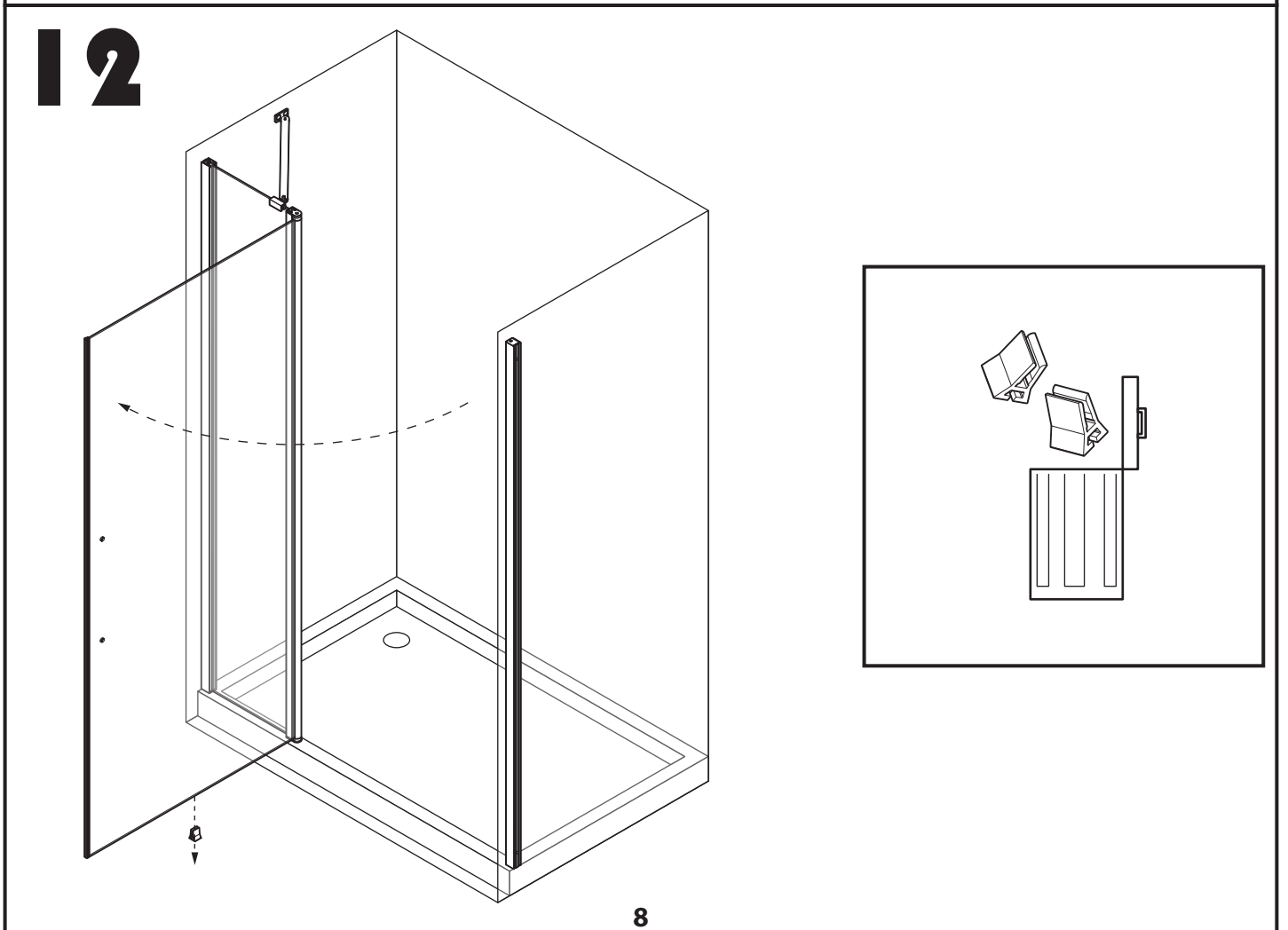
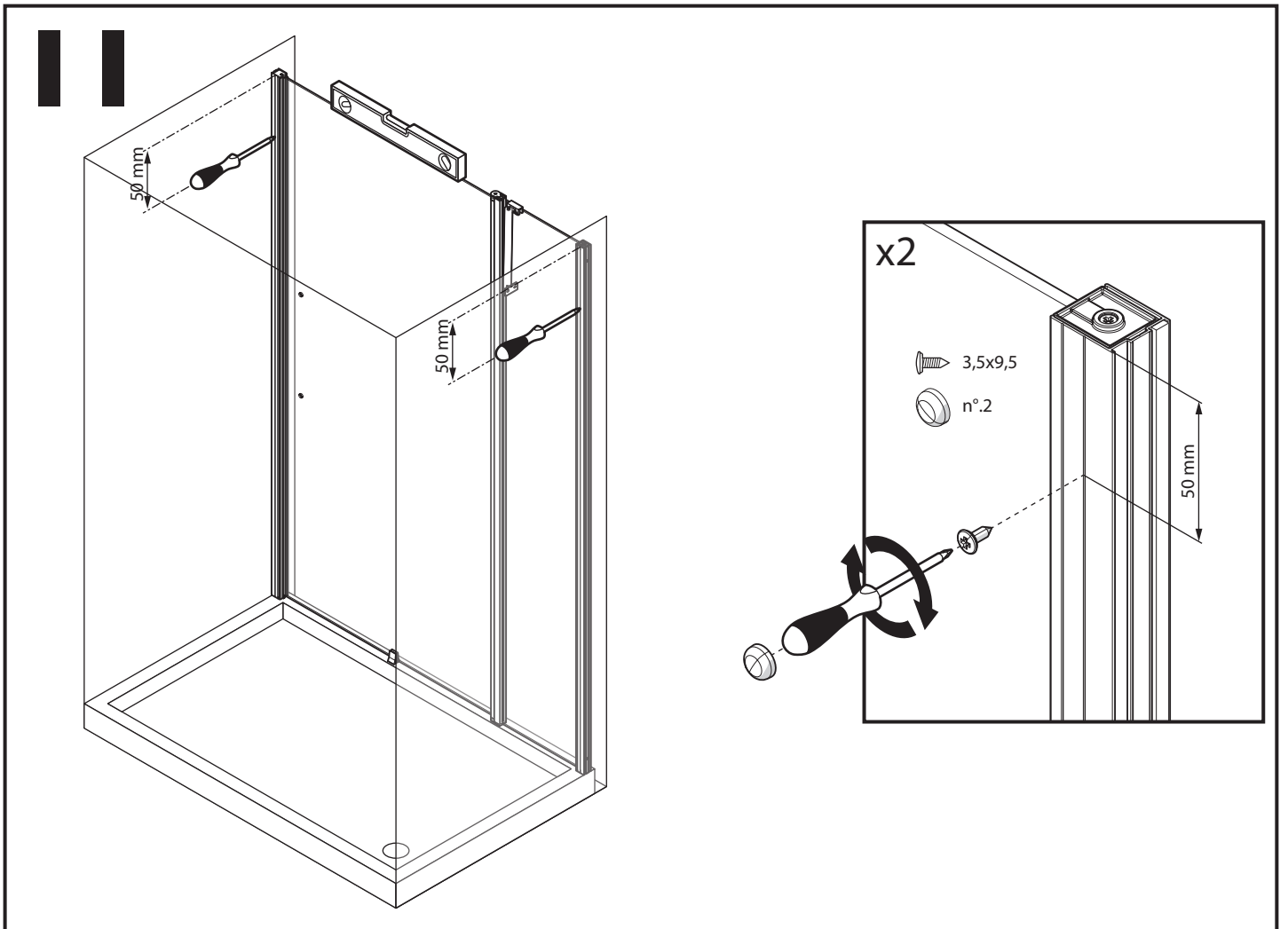


B

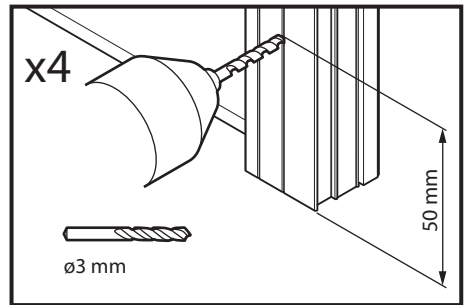
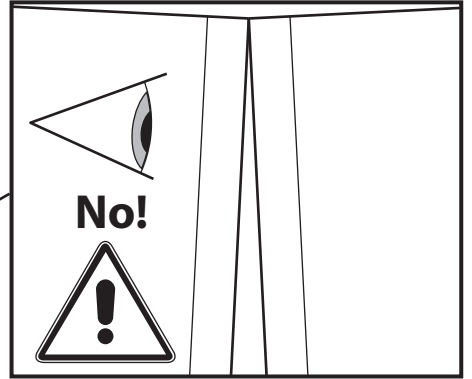
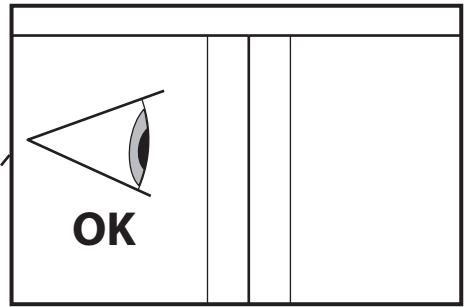
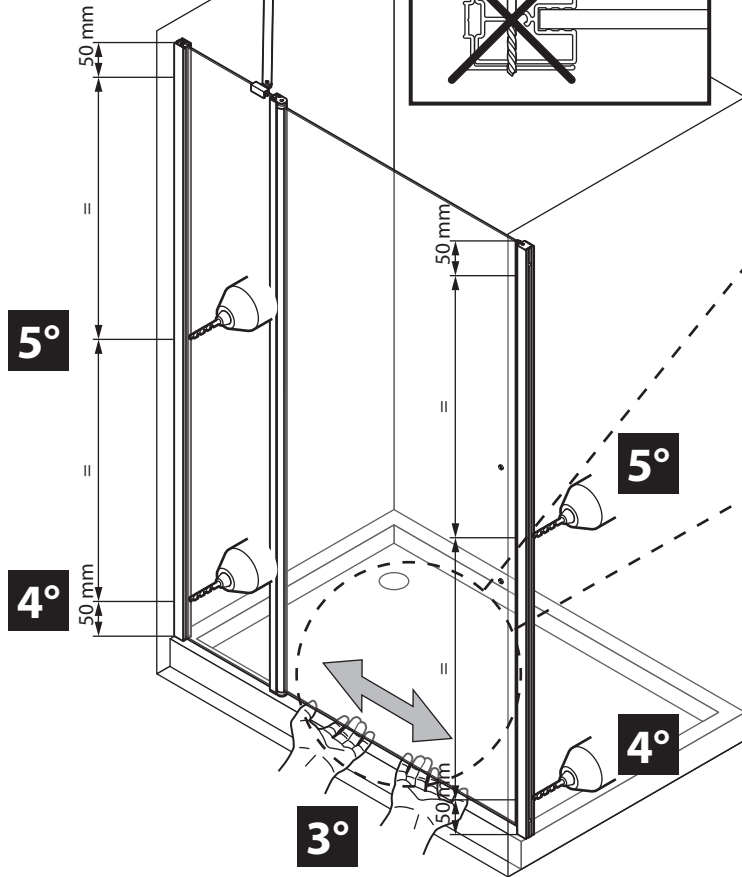


10

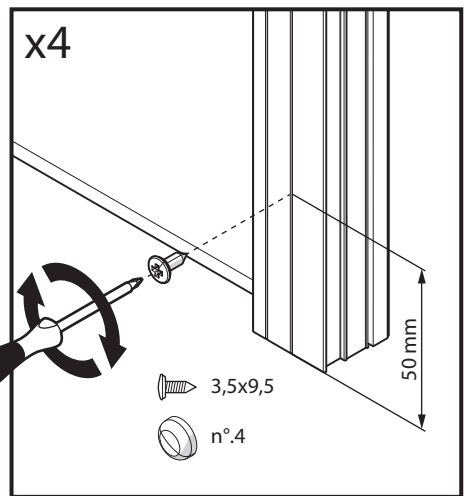
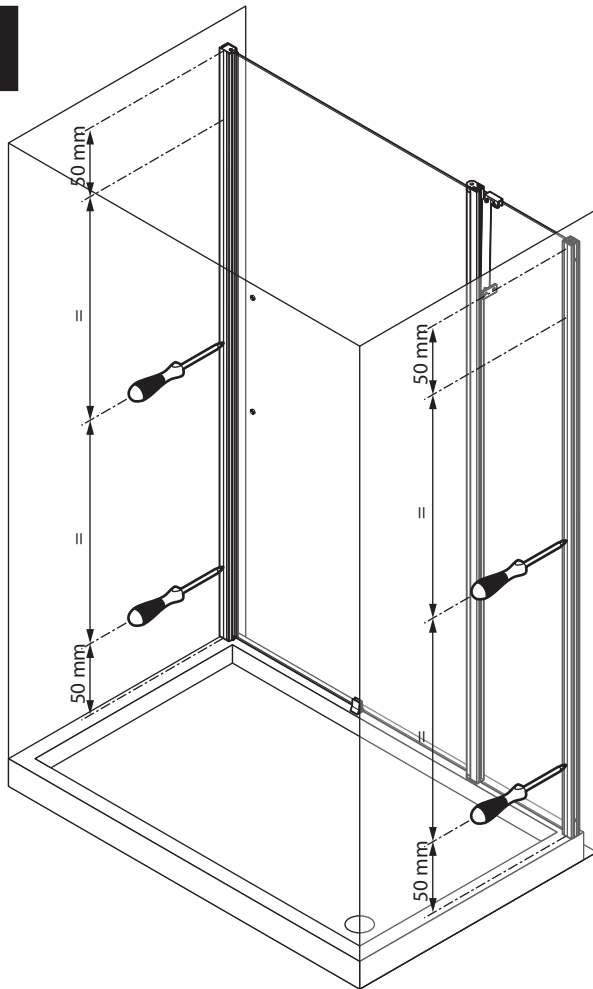




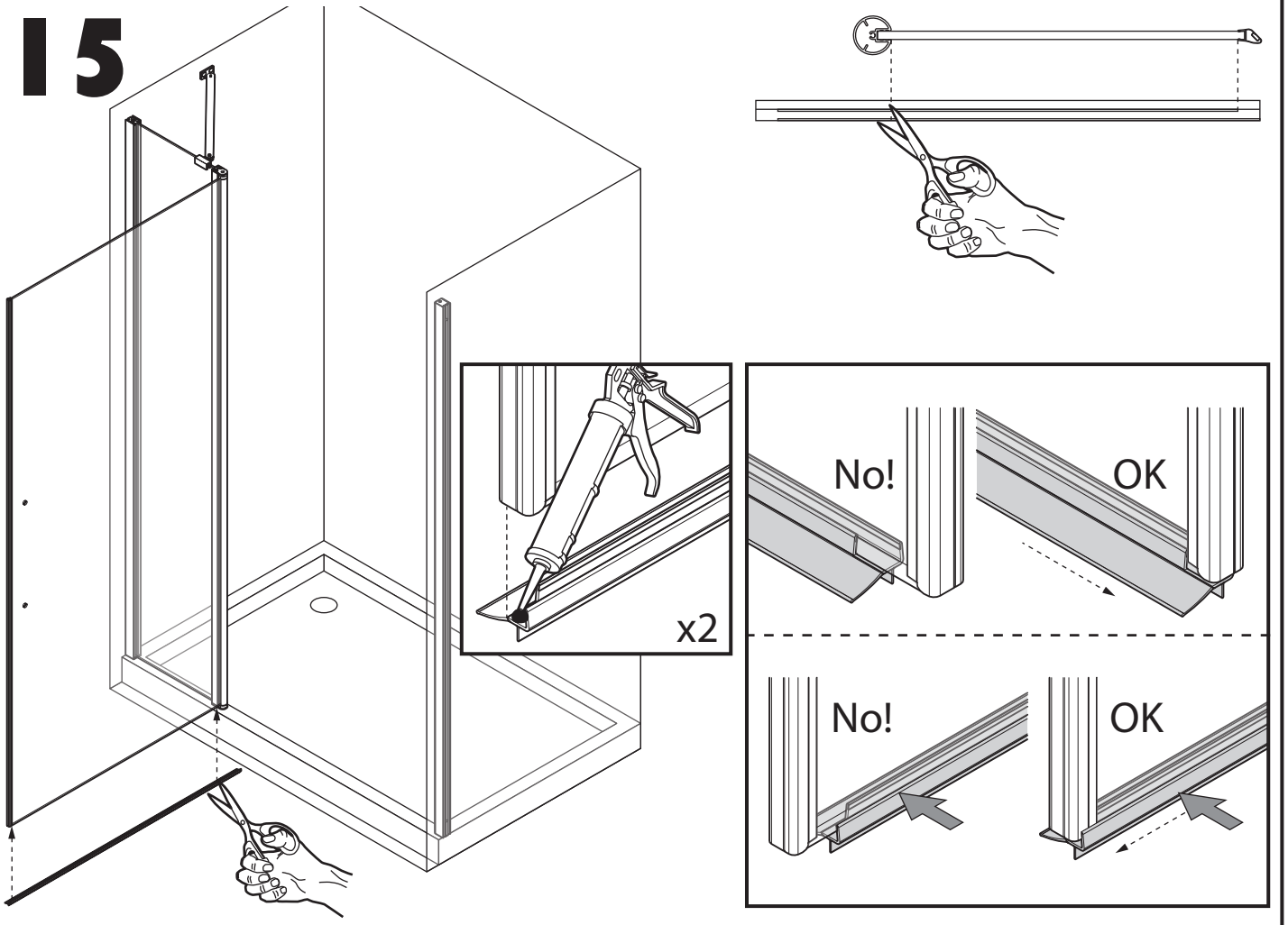
13



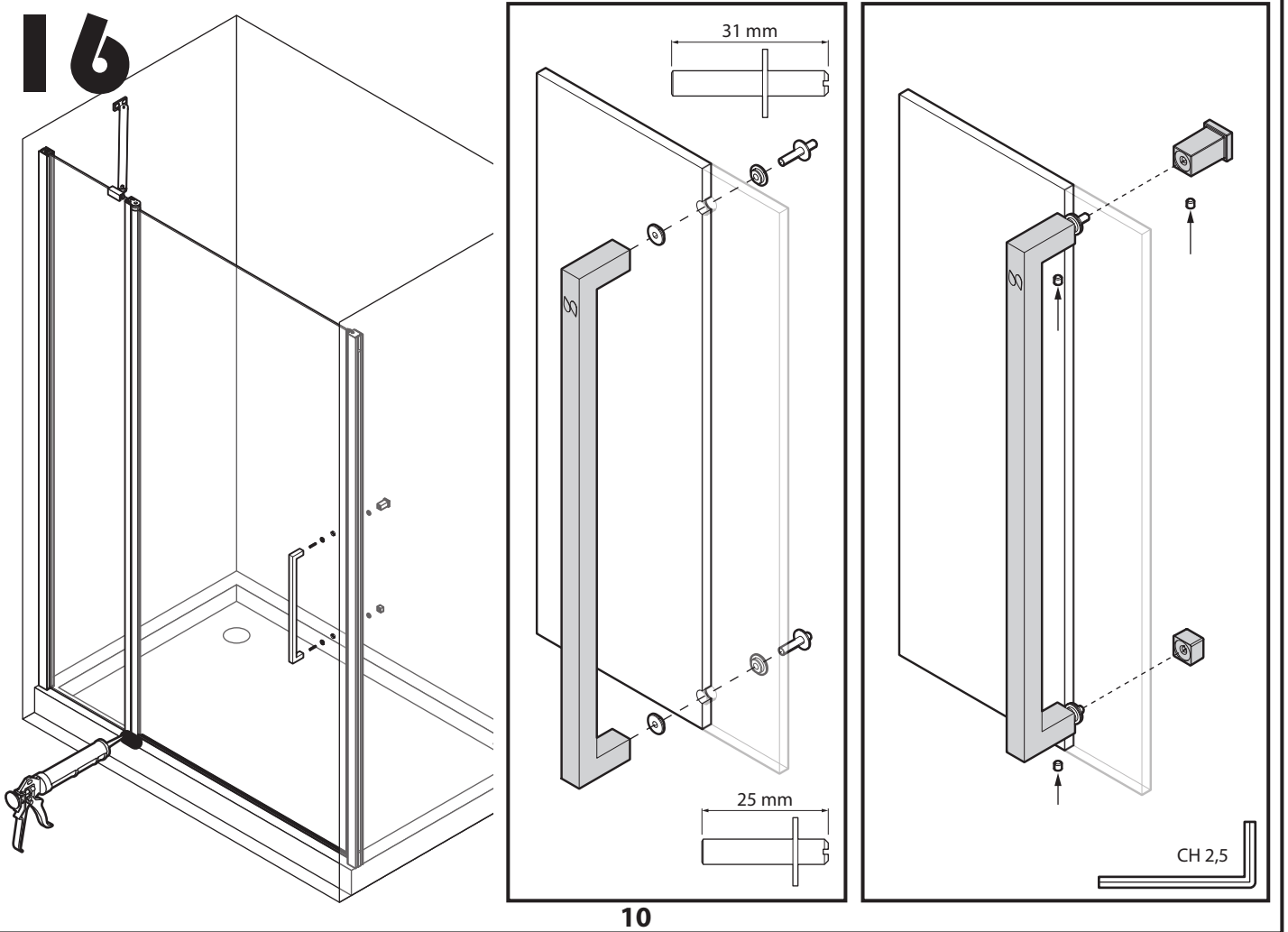
14



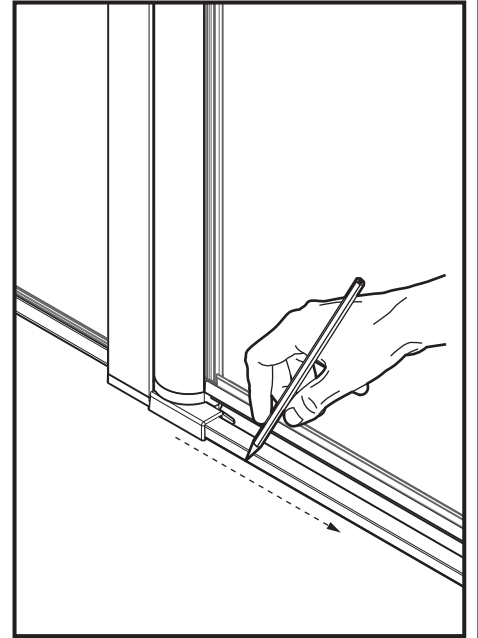
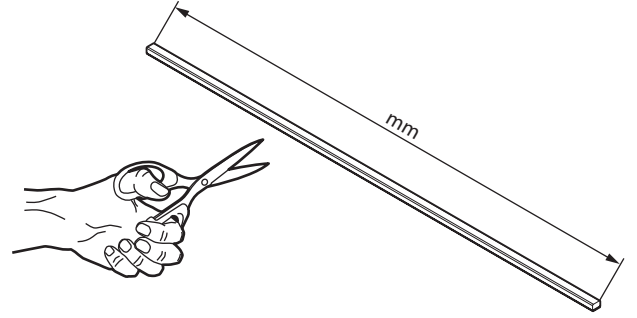
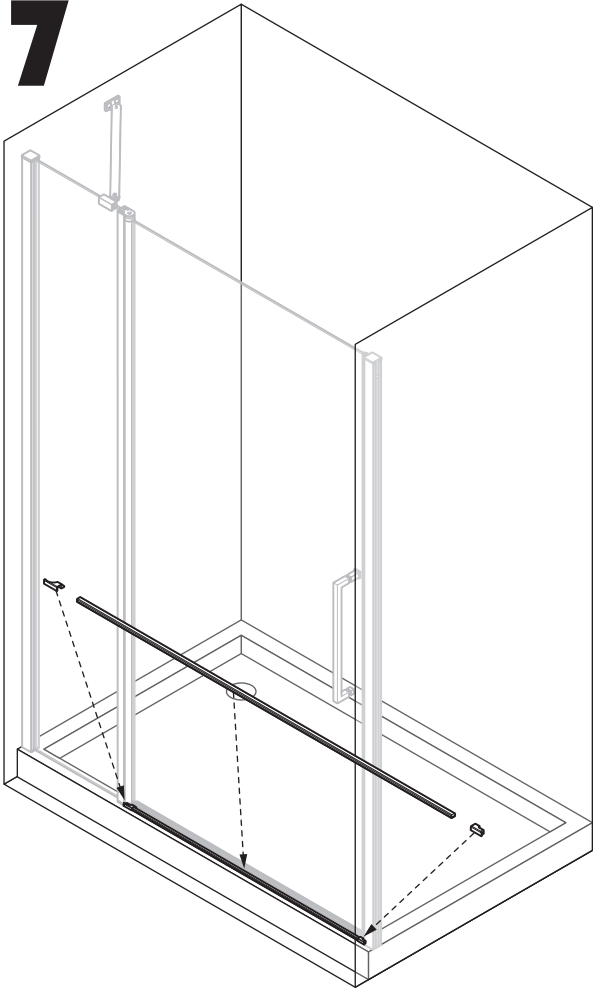
15



16

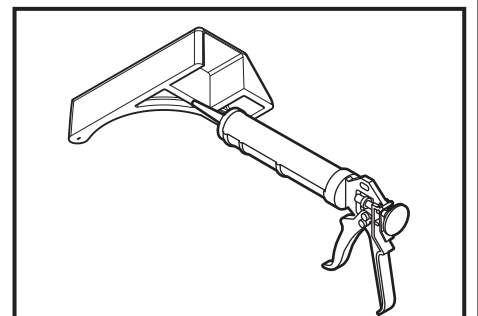
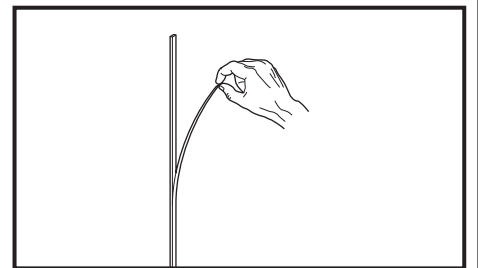
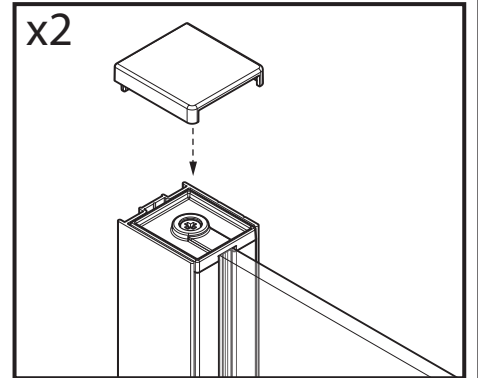
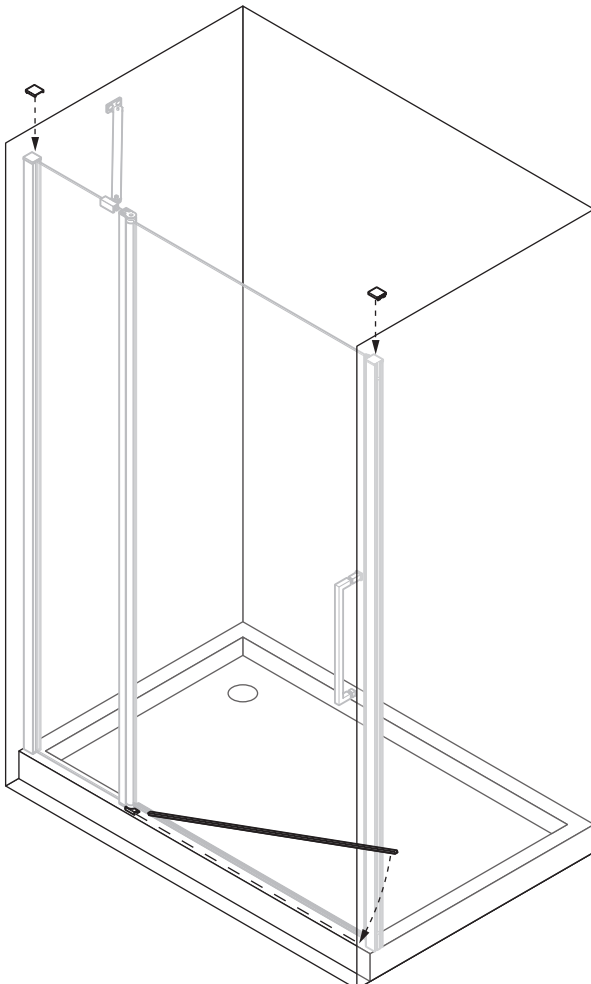


17

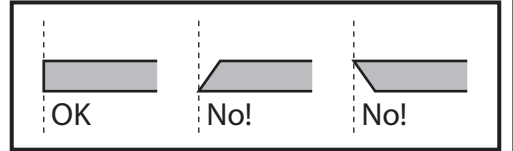
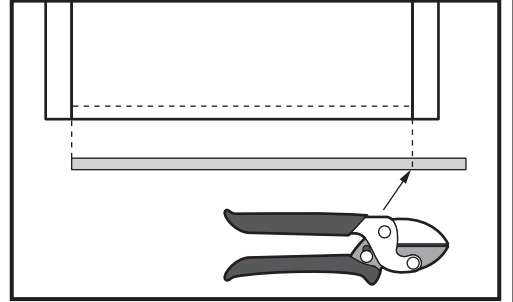
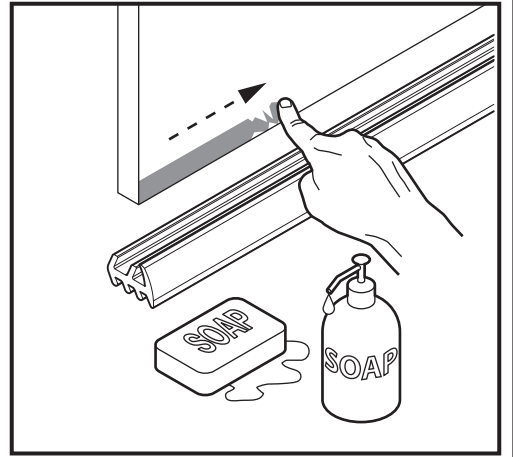
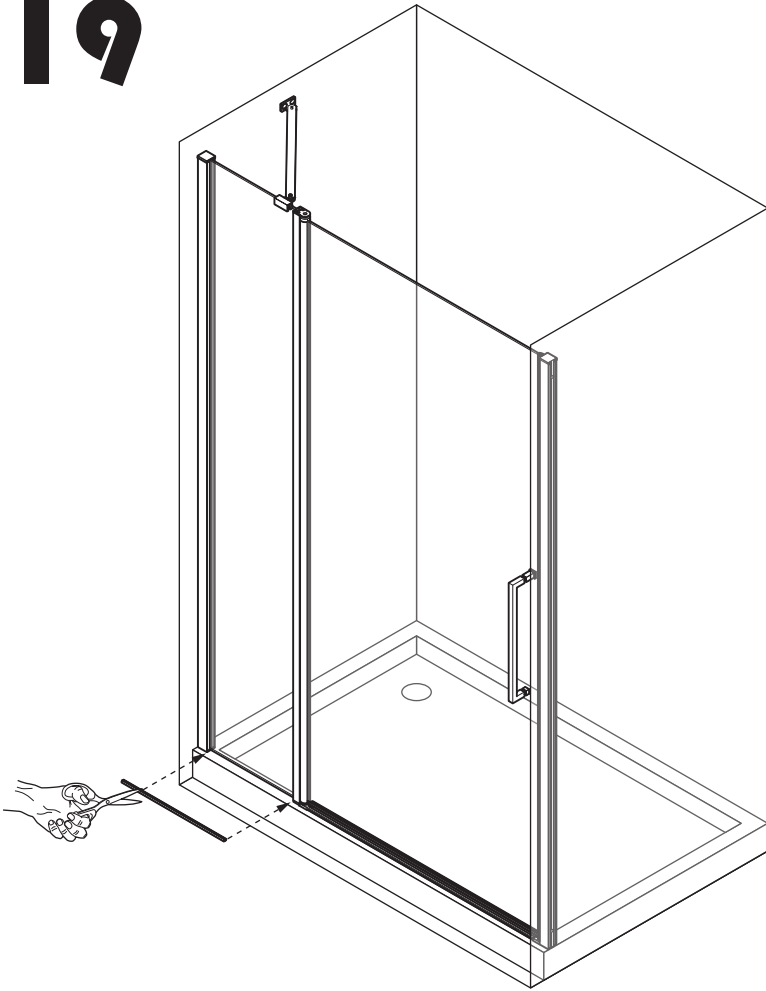


mod. 2P	mm
77-81	497
87-91	597
97-101	697
107-111	797
117-121	697
137-141	997

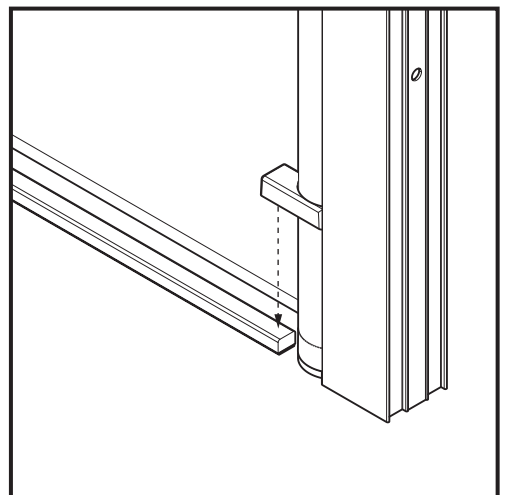
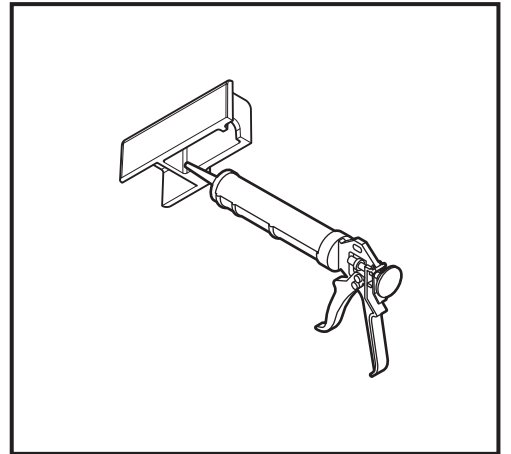
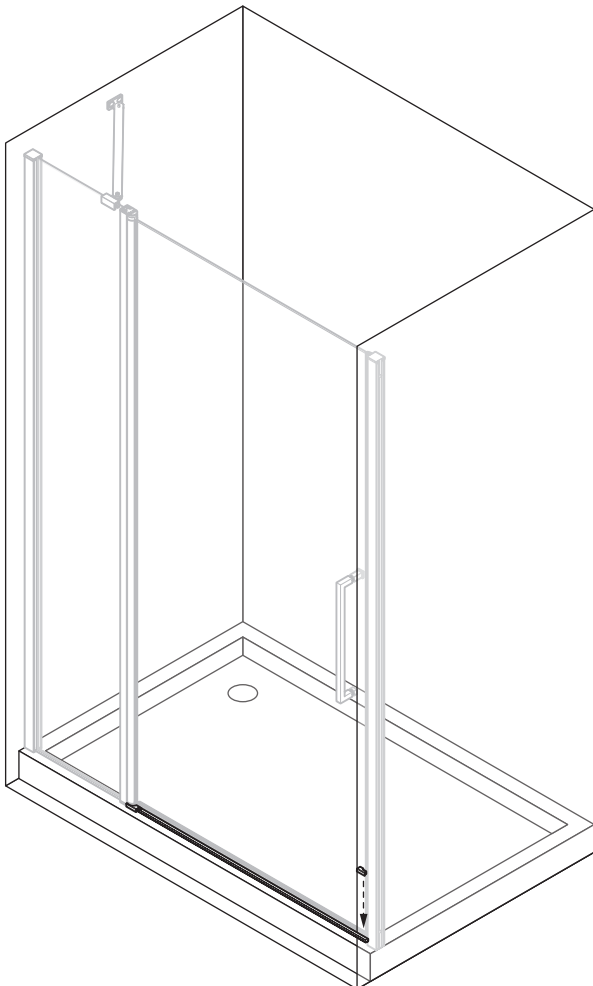
18



19



20



21

