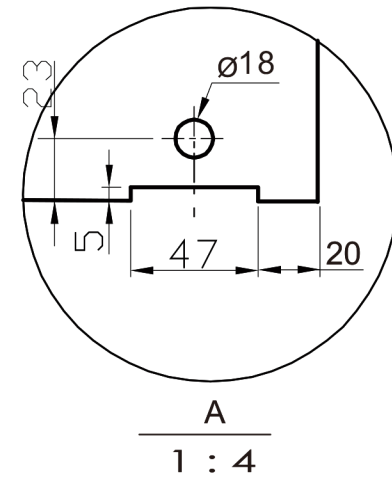
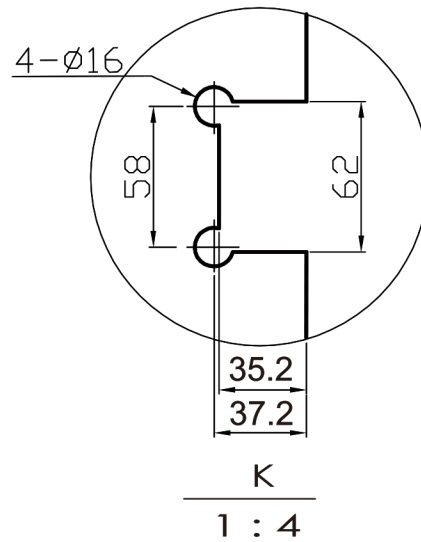
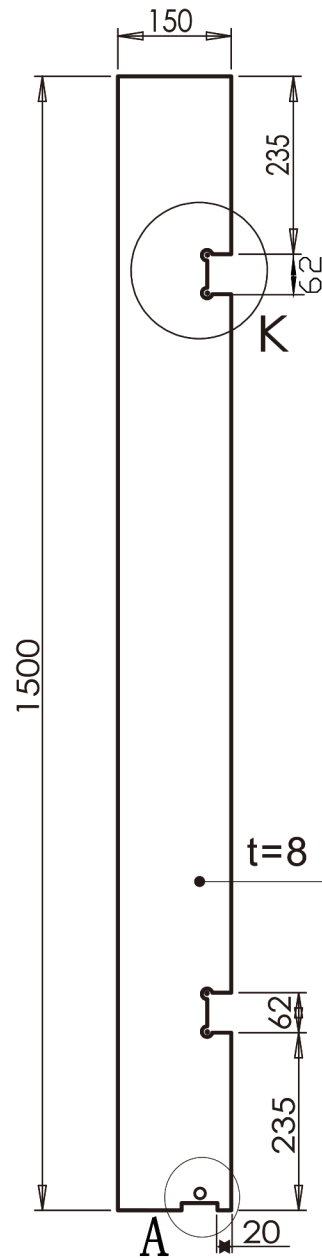
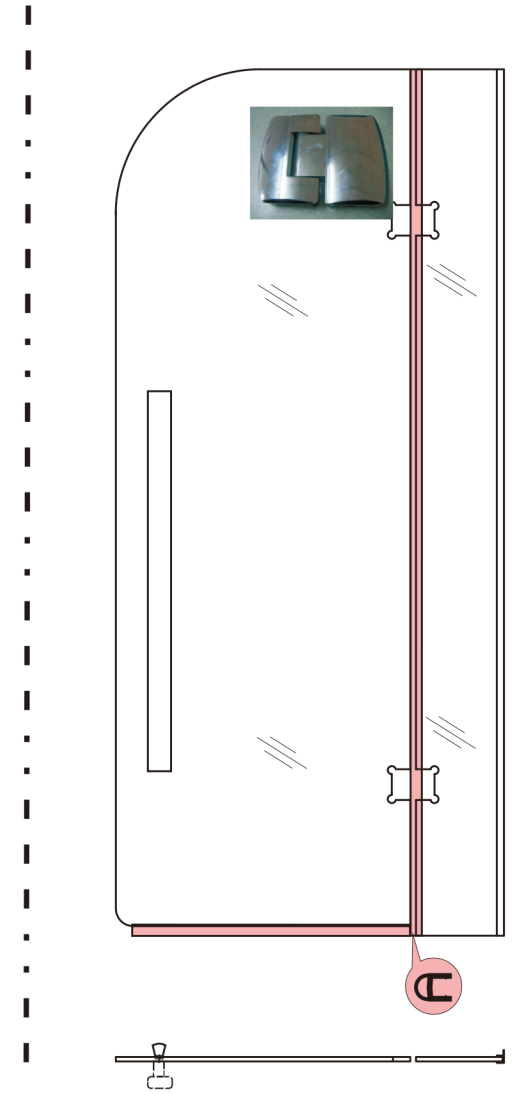
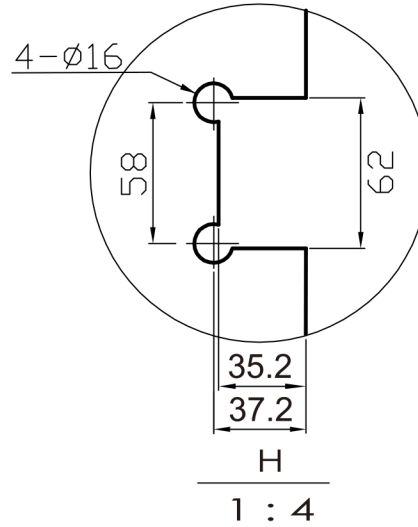
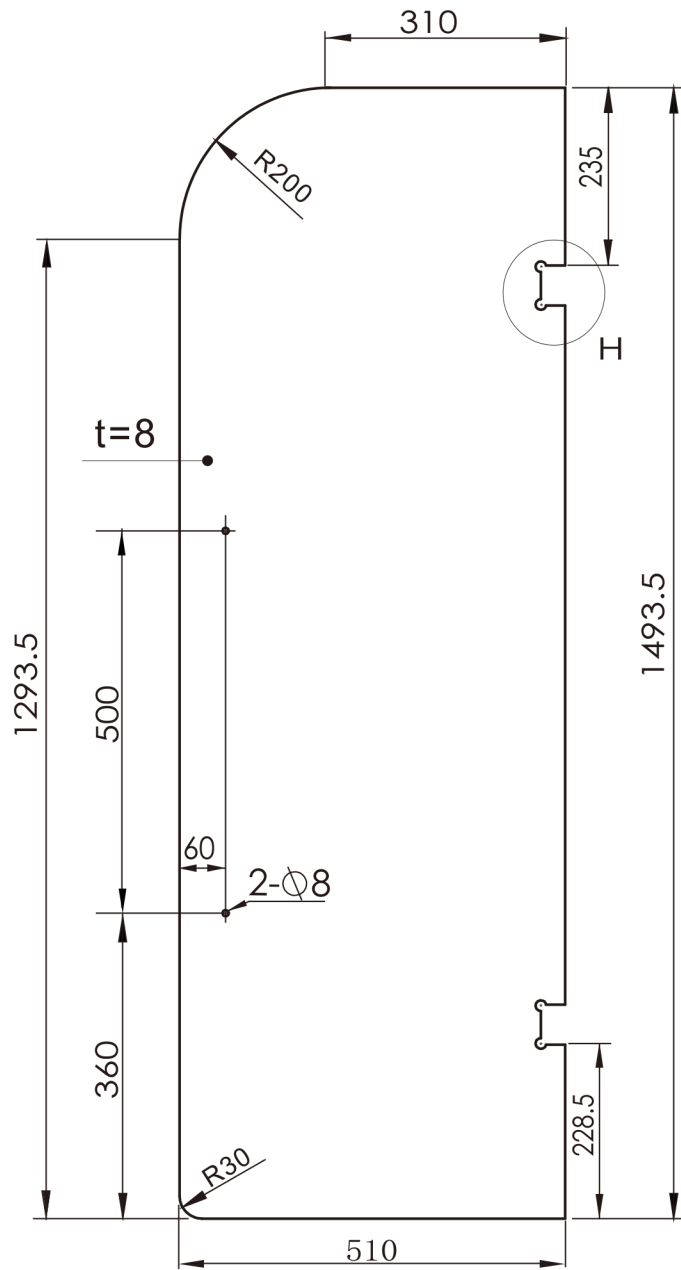


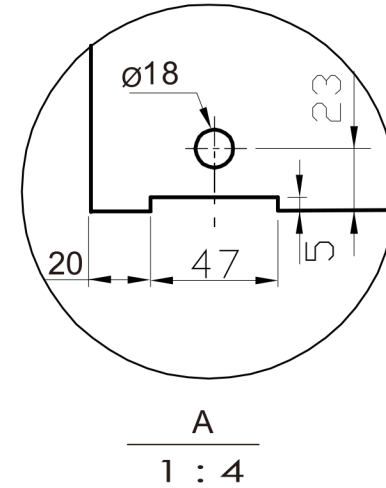
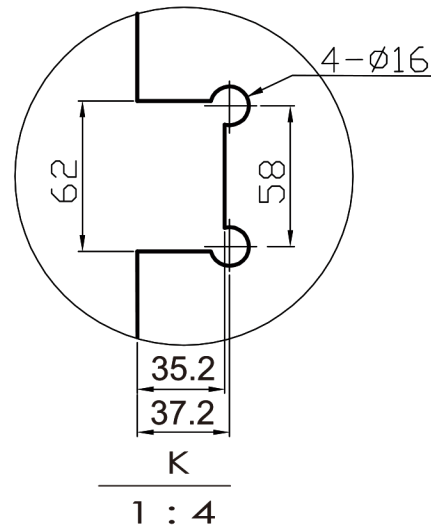
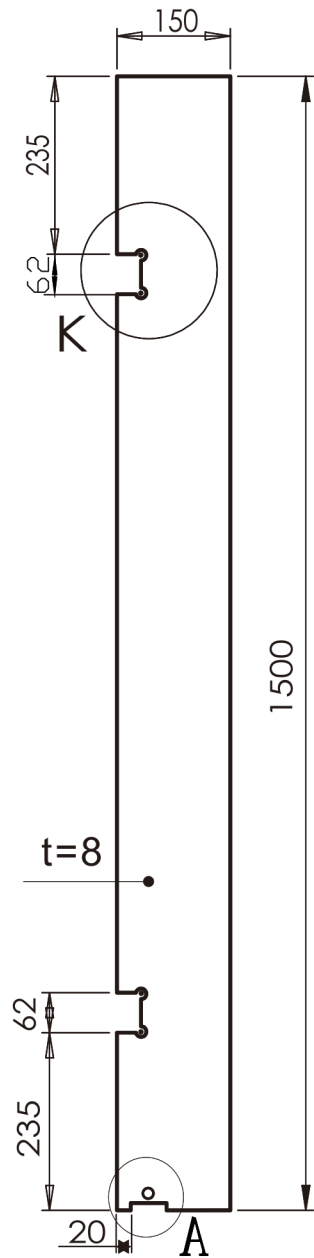
Item.		GUANGDONG OVS TECHNOLOGY CO.,LTD			
Q375G-L		DREW	Zero 2017-9-20	SCALE	1:1
		CHKD	Neo 2017-9-22	REV	
Customer Code		APRVL		PAPE	1/2
UNITS	mm	PART NAME	Glass door	PART NO	



Item.		GUANGDONG OVS TECHNOLOGY CO.,LTD			
Q375G-L		DREW	Zero 2017-9-20	SCALE	1:1
		CHKD	Neo 2017-9-22	REV	
Customer Code		APRVL		PAPE	2/2
UNITS	mm	PART NAME	Glass door	PART NO	



Item.		GUANGDONG OVS TECHNOLOGY CO.,LTD			
Q375G-R		DREW	Zero 2017-9-20	SCALE	1:1
		CHKD	Neo 2017-9-22	REV	
Customer Code		APRVL		PAPE	1/2
UNITS	mm	PART NAME	Glass door	PART NO	



Item.		GUANGDONG OVS TECHNOLOGY CO.,LTD			
Q375G-R		DREW	Zero 2017-9-20	SCALE	1:1
		CHKD	Neo 2017-9-22	REV	
Customer Code		APRVL		PAPE	2/2
UNITS	mm	PART NAME	Glass door	PART NO	