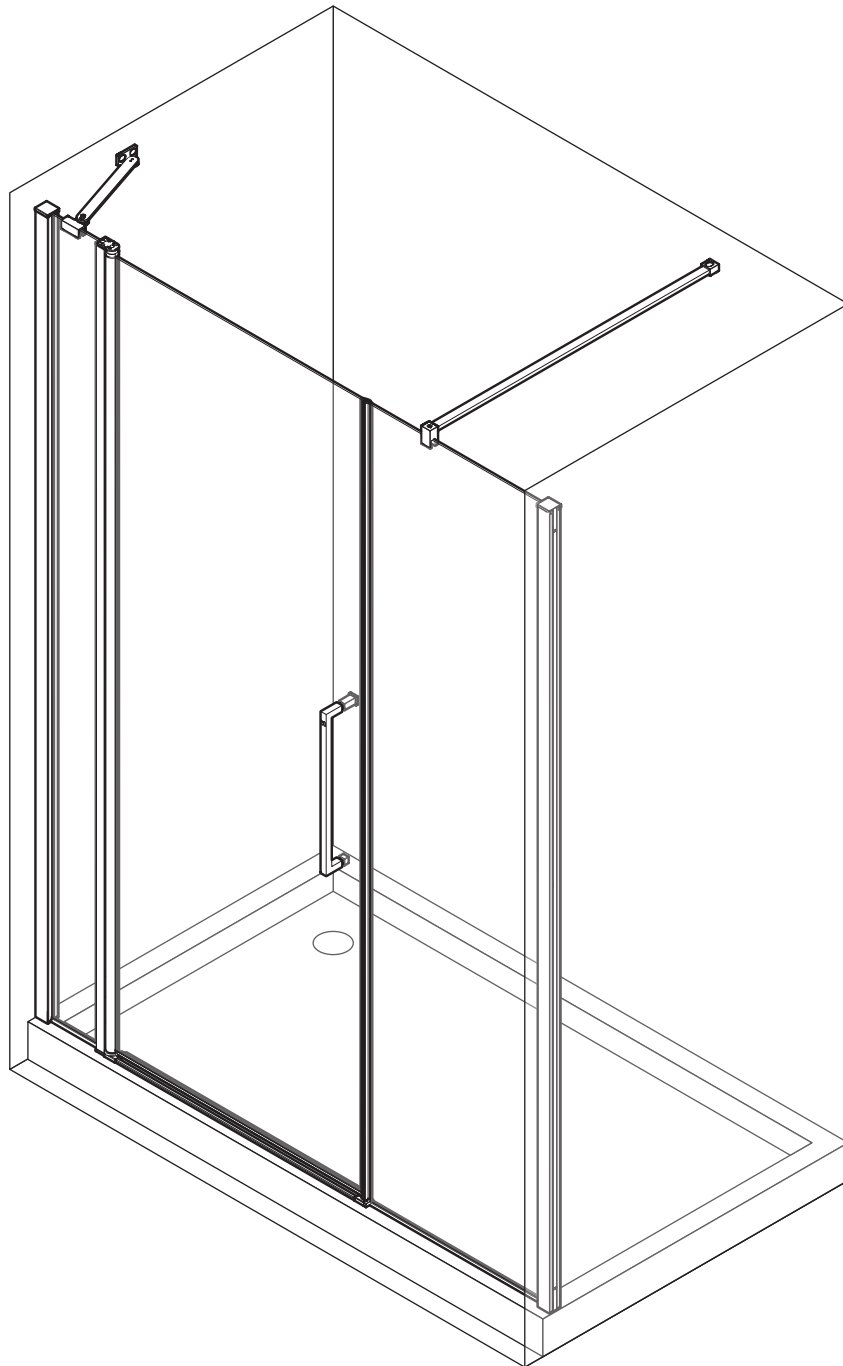
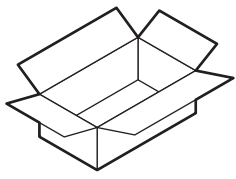
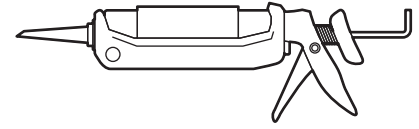
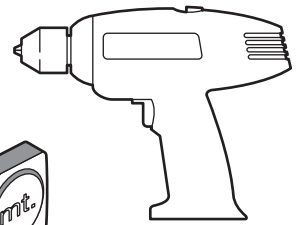
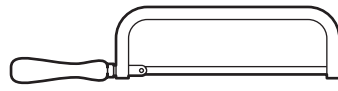
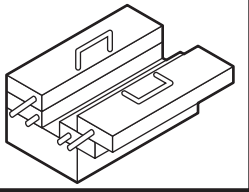


**2PFL**



x1



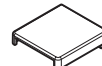
x1



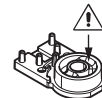
x1



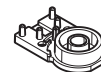
x1



x2



x1



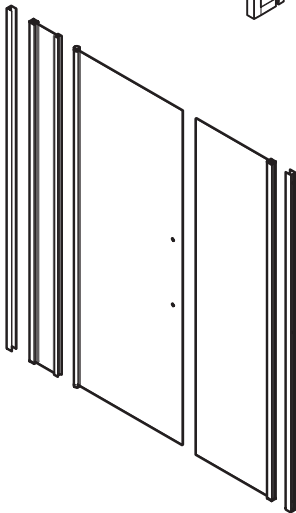
x1



x1



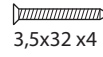
x1



FU8 x5



S6 x2



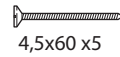
3,5x32 x4



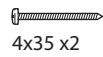
3,5x9,5 x6



4,8x13 x1



4,5x60 x5



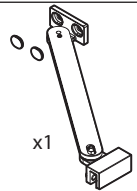
4x35 x2



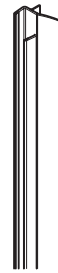
3,5x9,5 x1



x6



x1



x1



x2



x2



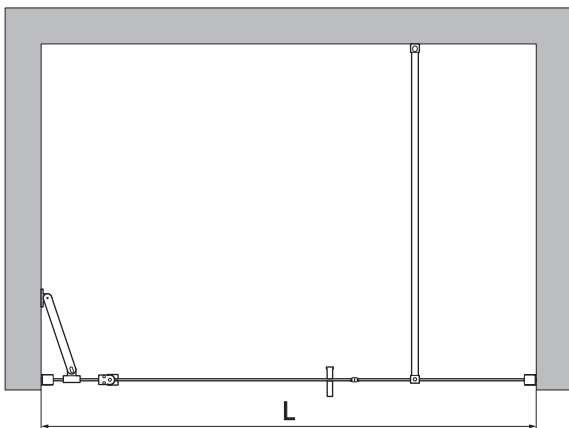
x2



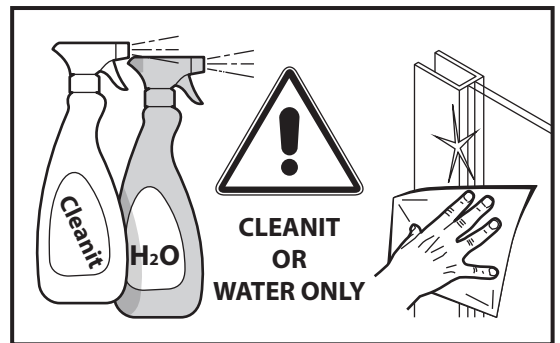
x1

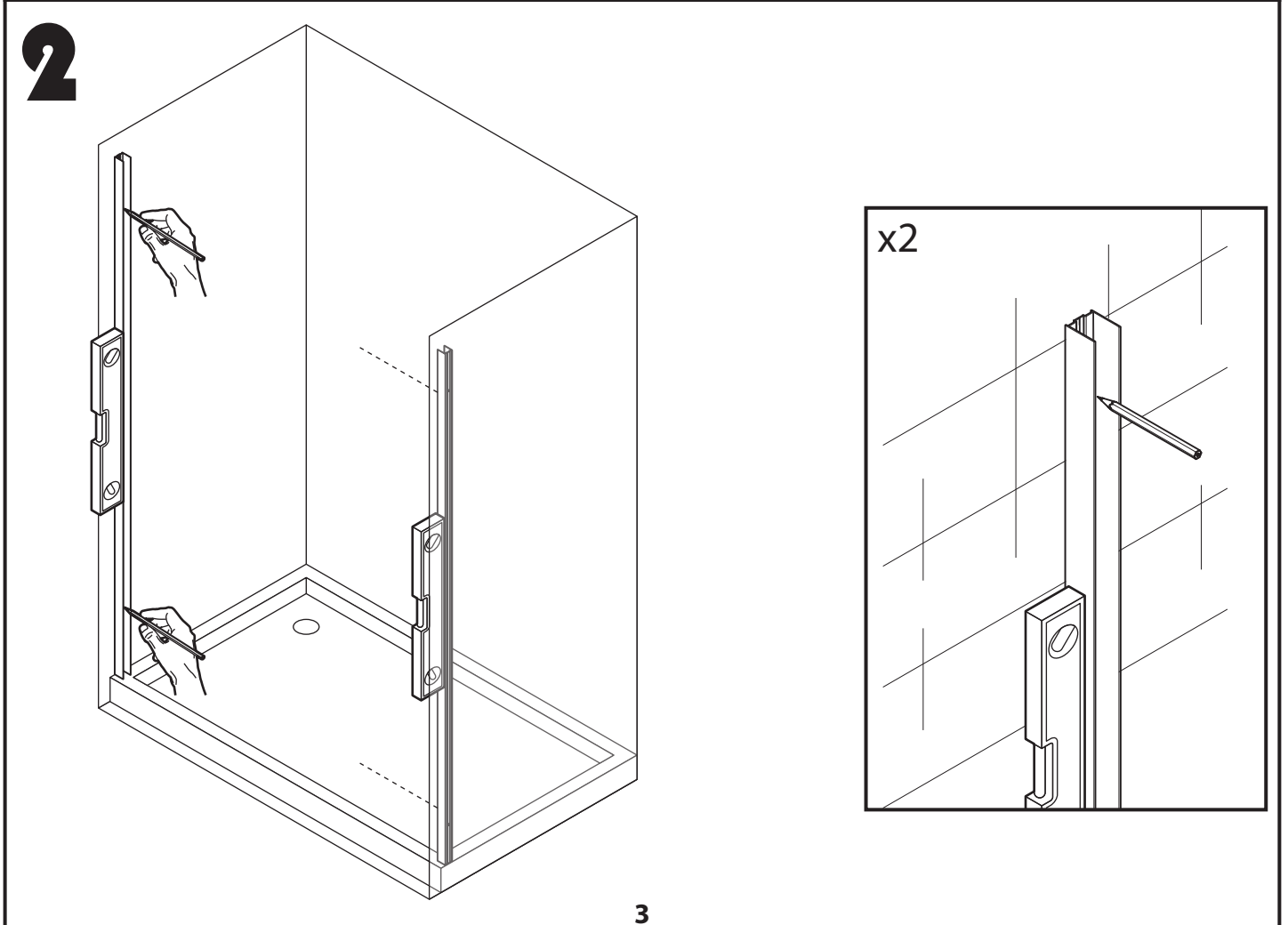
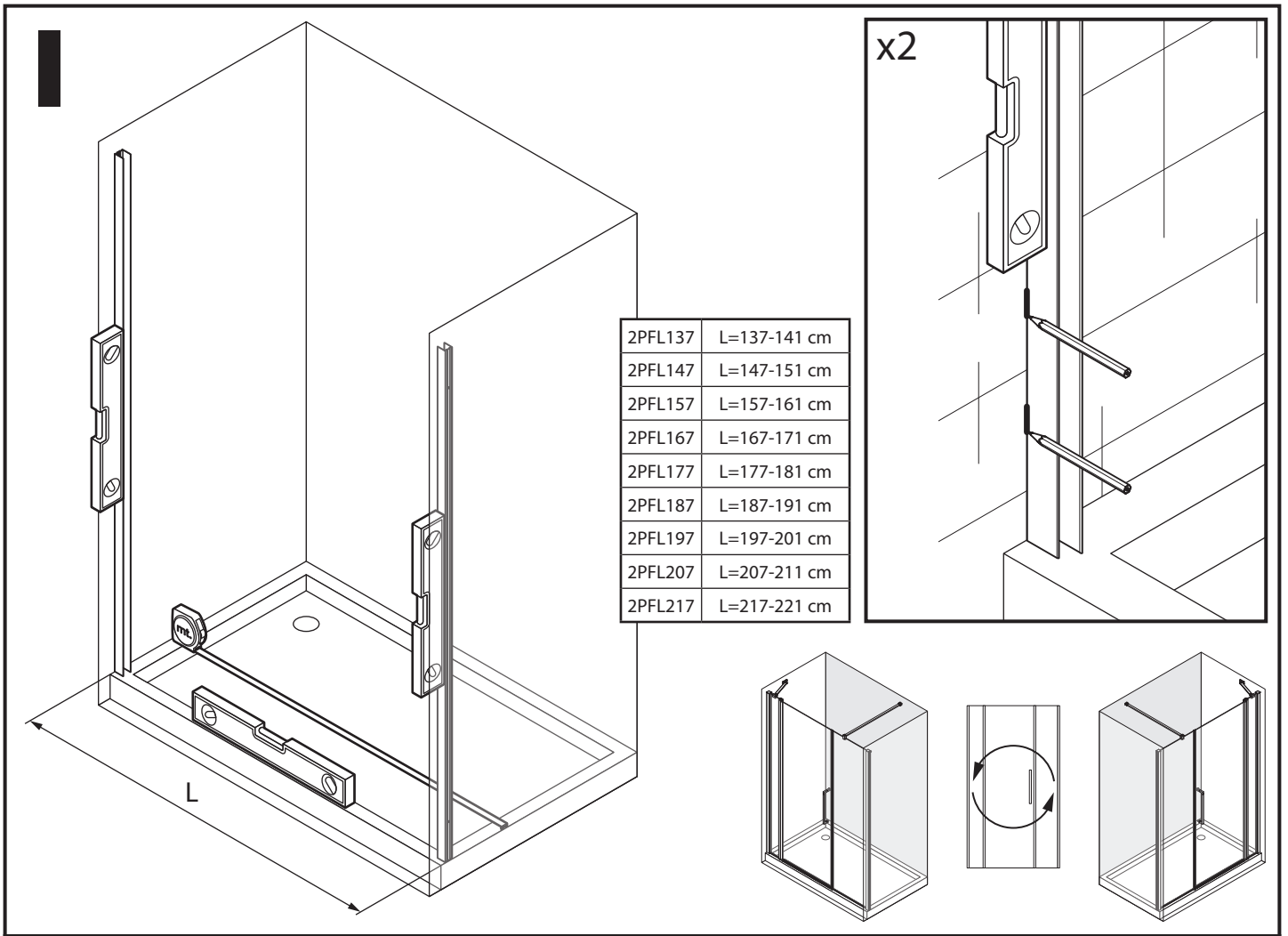


x1

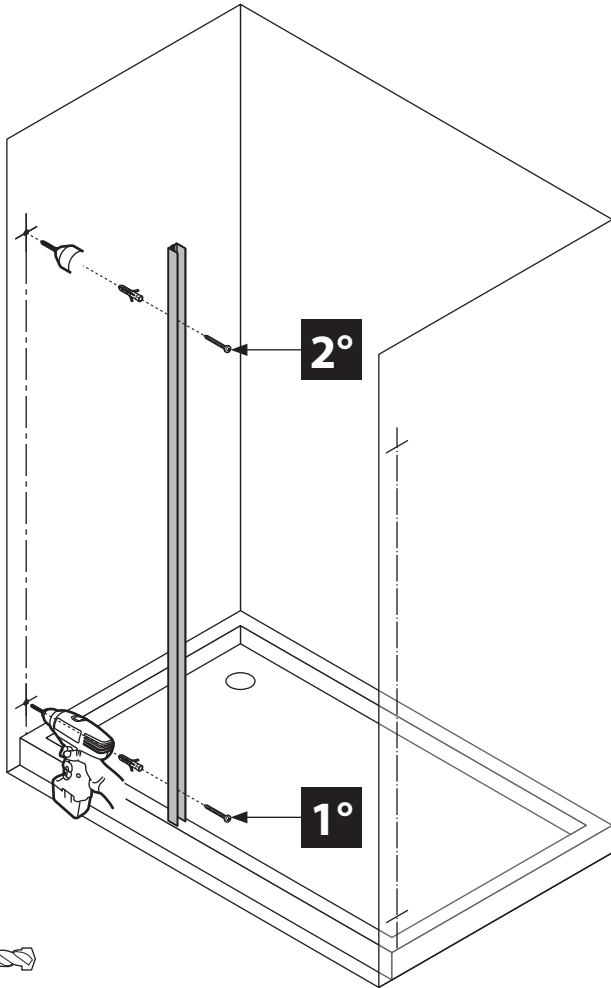


2PFL137	L=137-141 cm
2PFL147	L=147-151 cm
2PFL157	L=157-161 cm
2PFL167	L=167-171 cm
2PFL177	L=177-181 cm
2PFL187	L=187-191 cm
2PFL197	L=197-201 cm
2PFL207	L=207-211 cm
2PFL217	L=217-221 cm





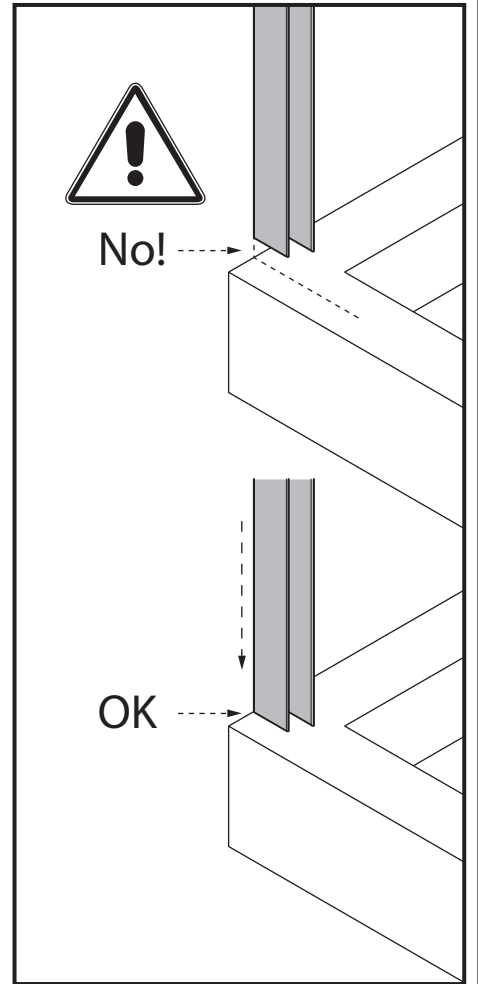
# 3



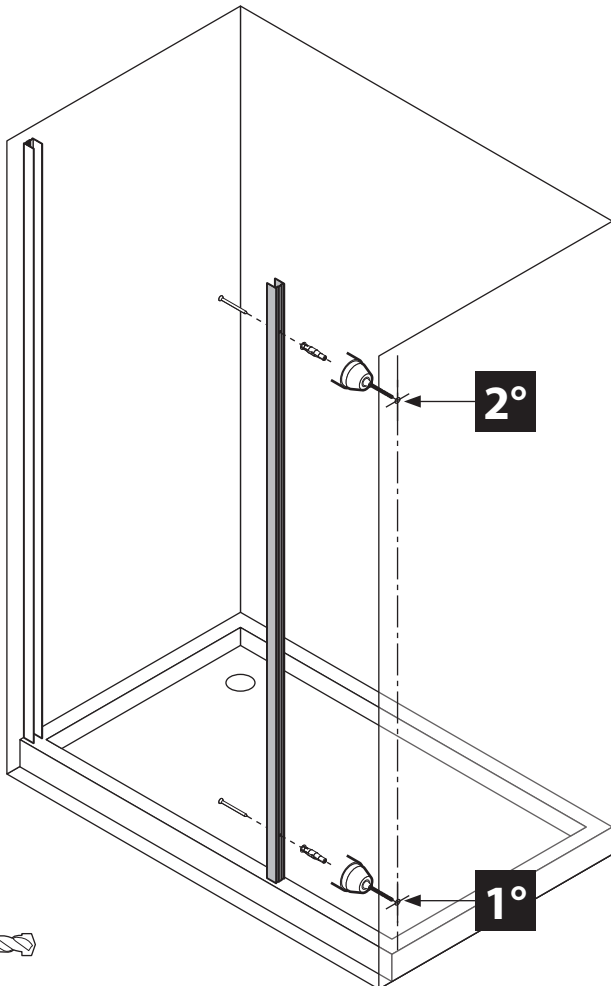
4,5x60 x2

FU8 x2

ø8 mm



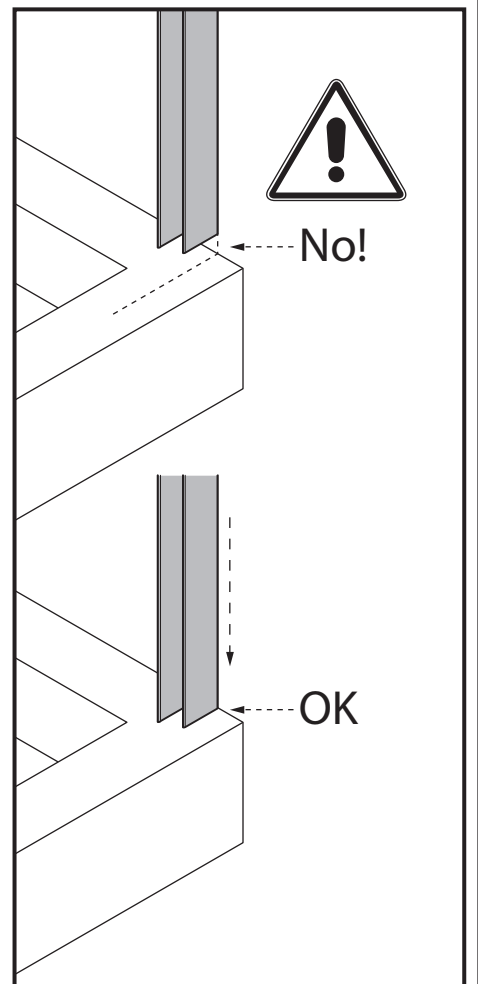
# 4



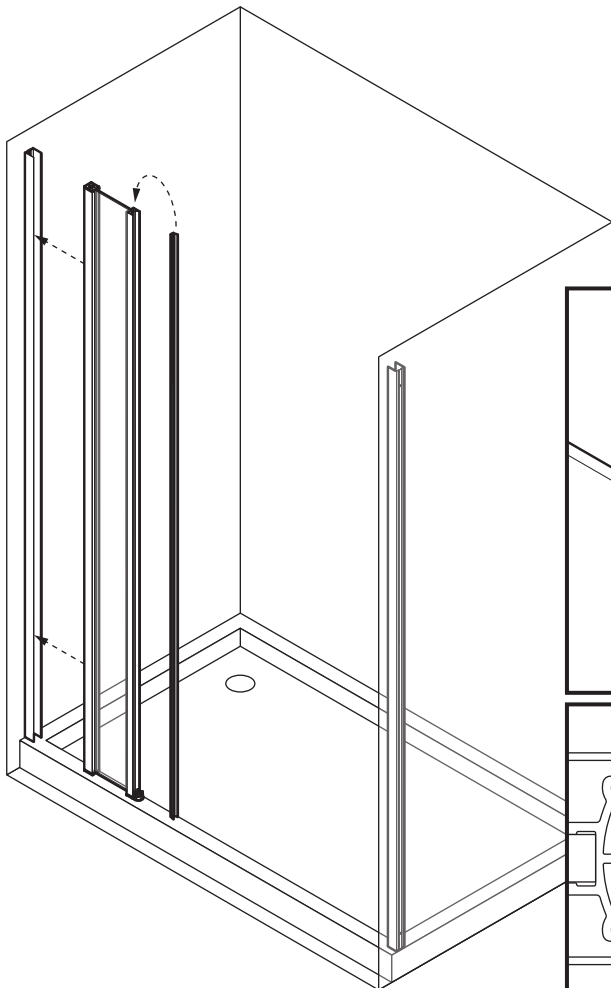
4,5x60 x2

FU8 x2

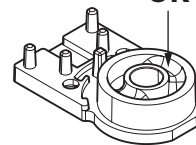
ø8 mm



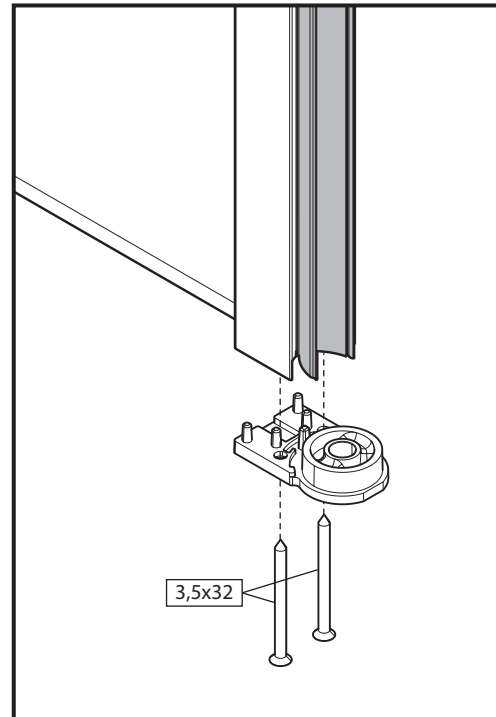
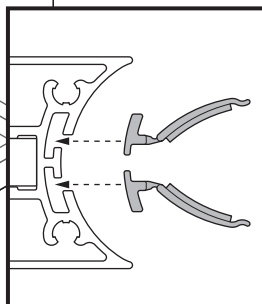
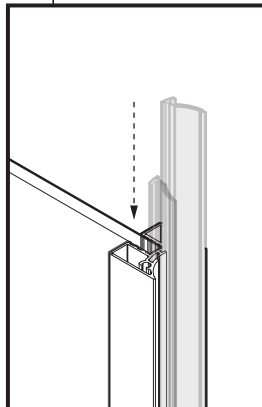
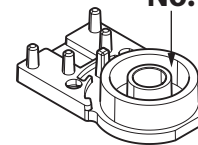
# 5



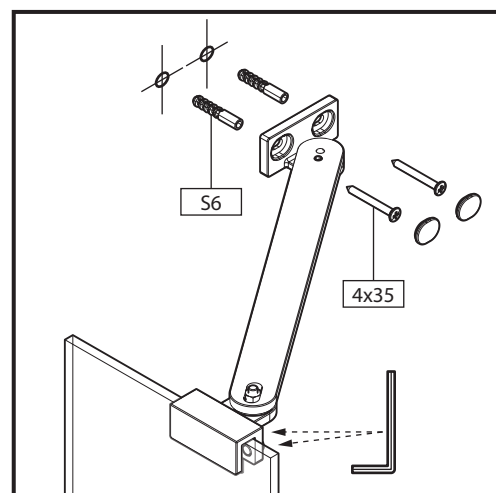
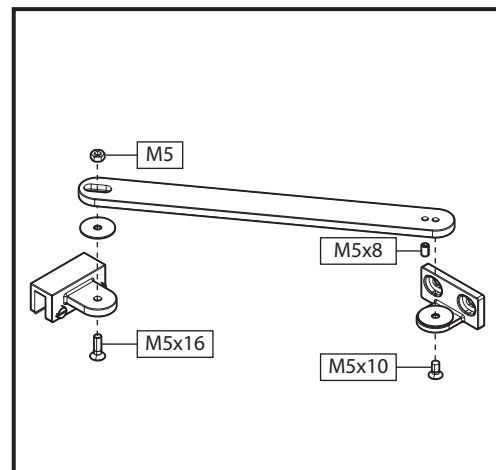
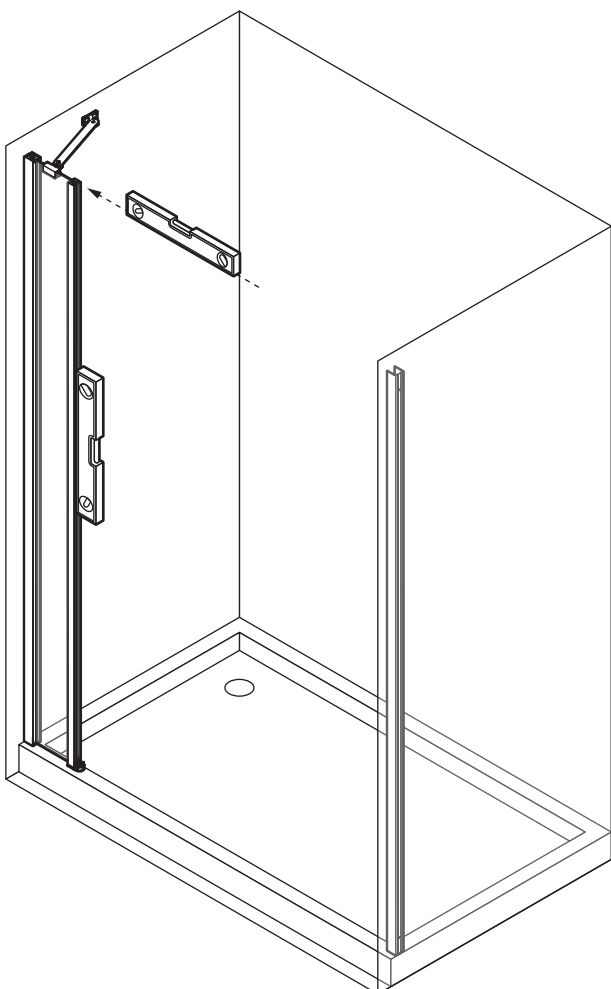
OK



No!

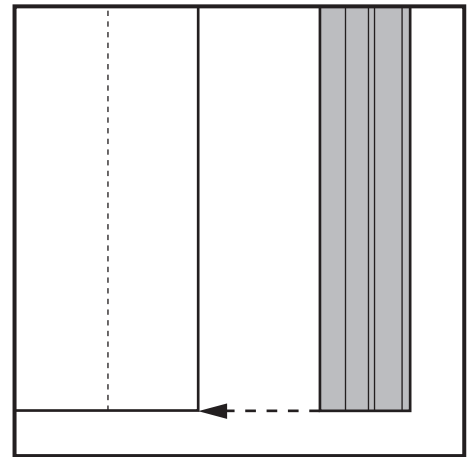
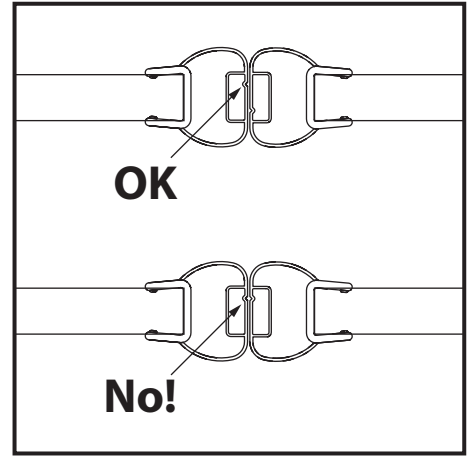
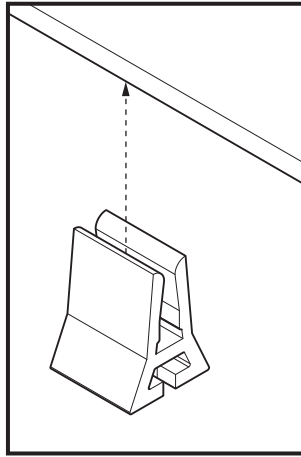
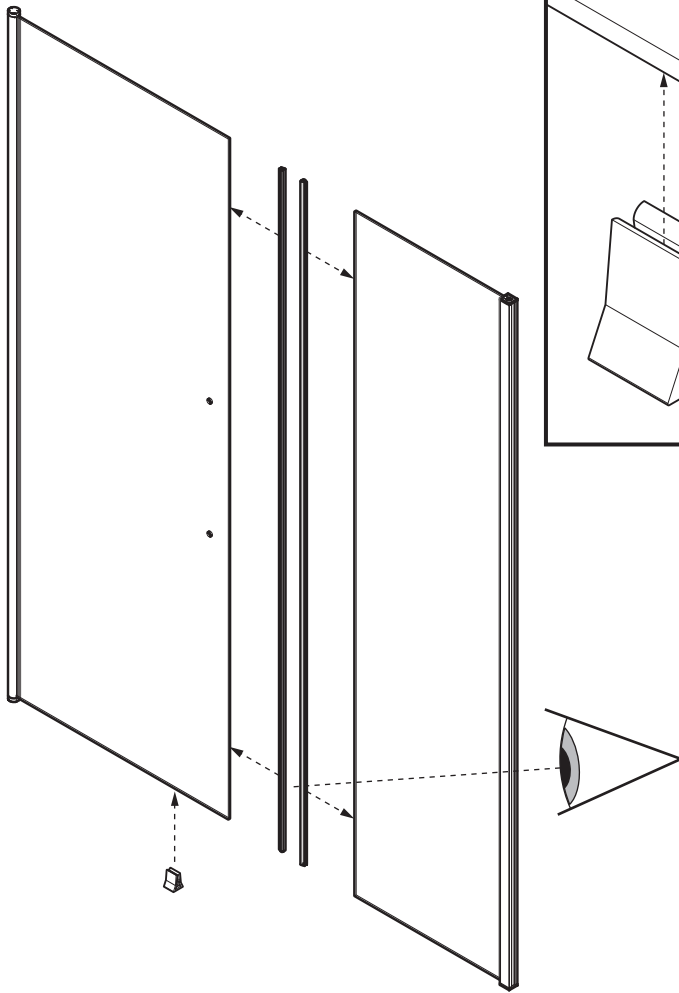


# 6

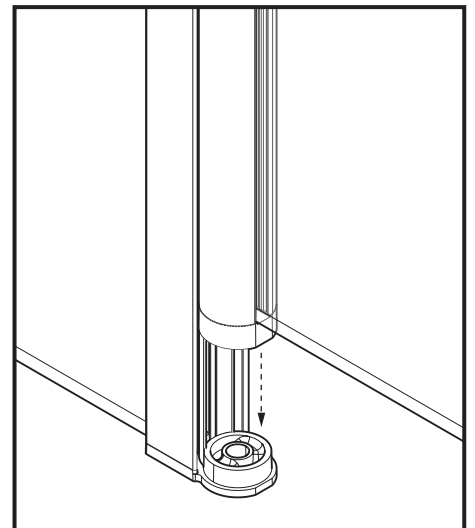
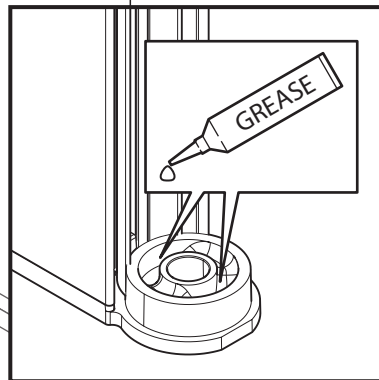
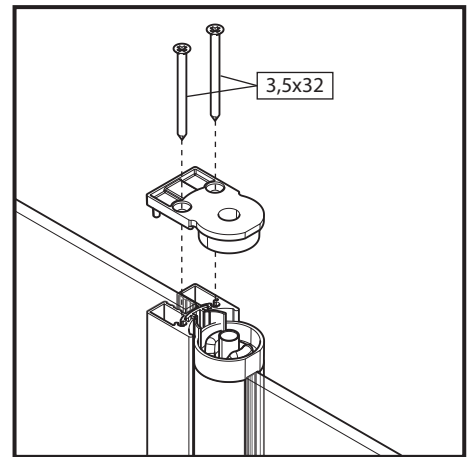
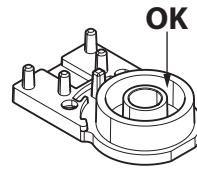
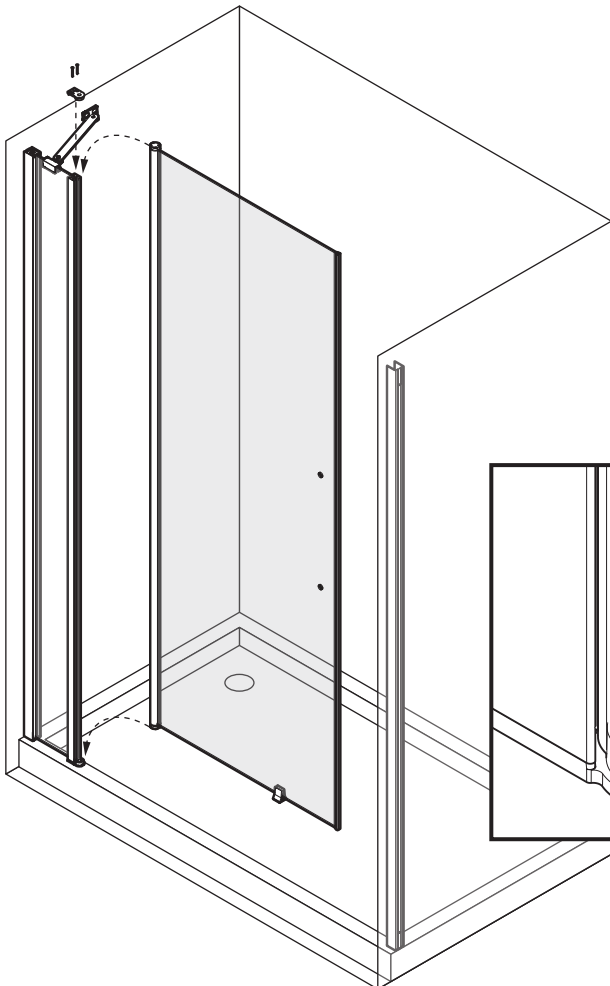


5

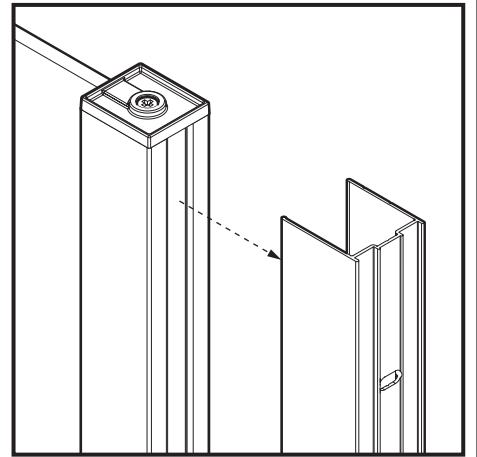
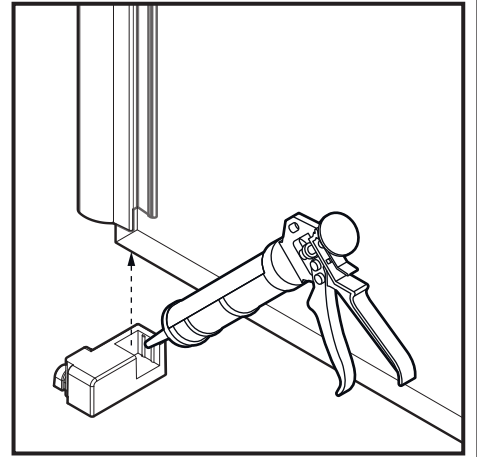
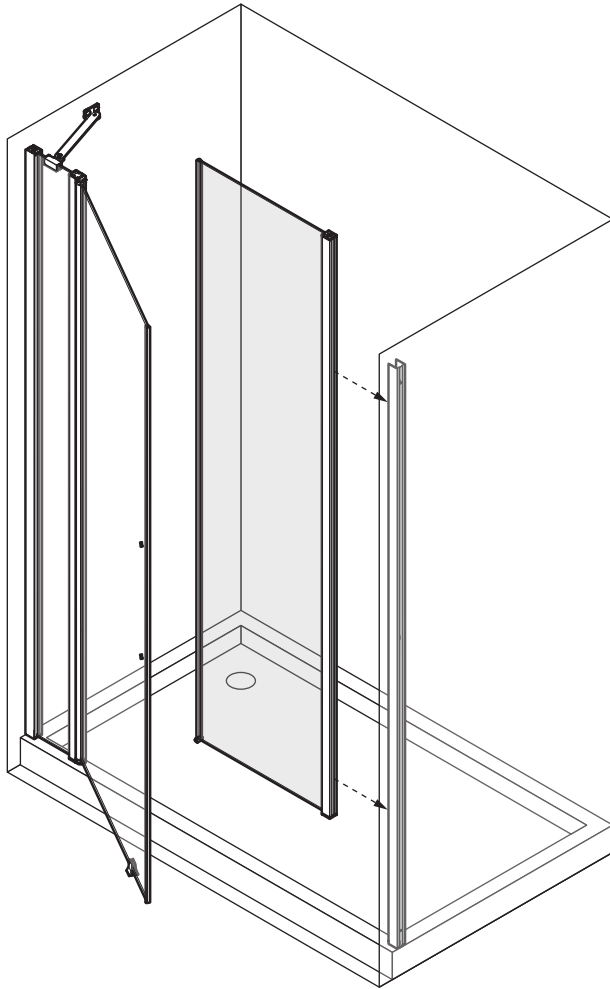
**7**



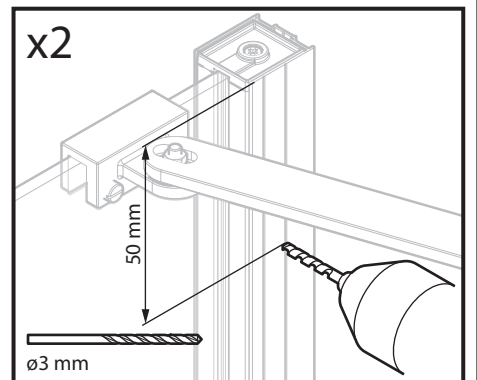
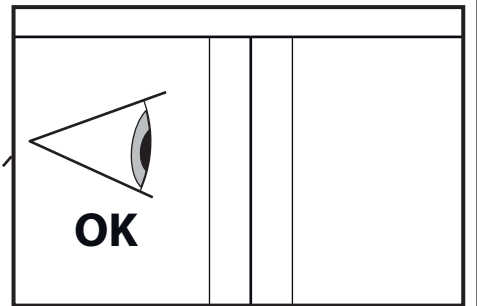
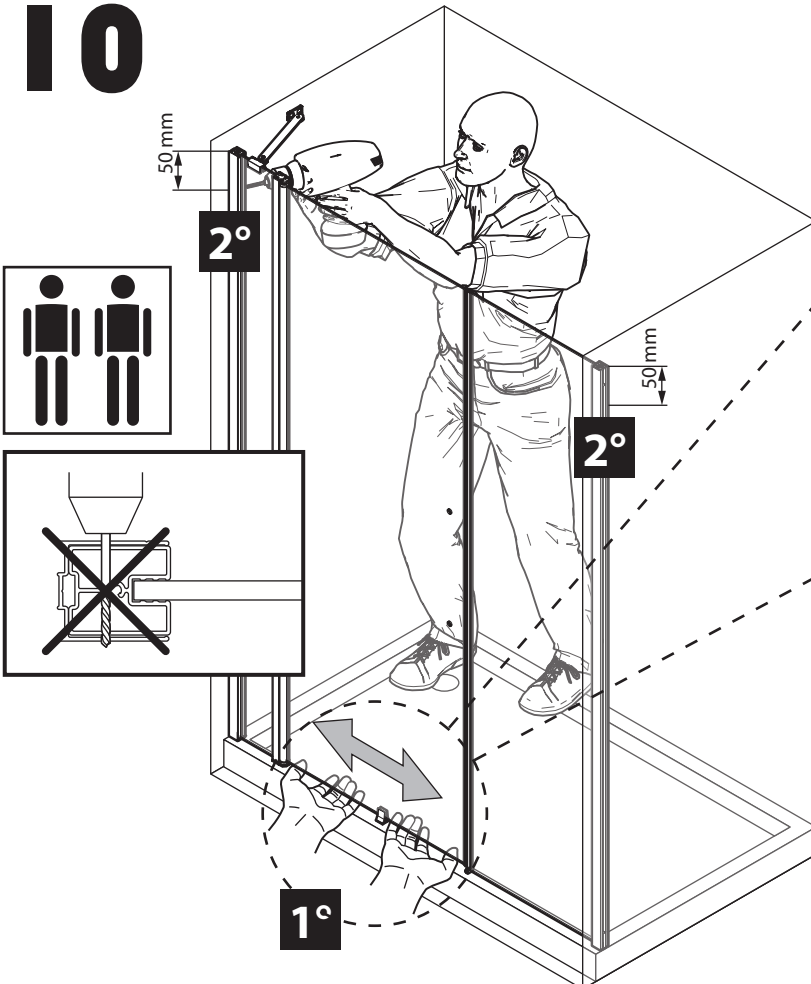
**8**

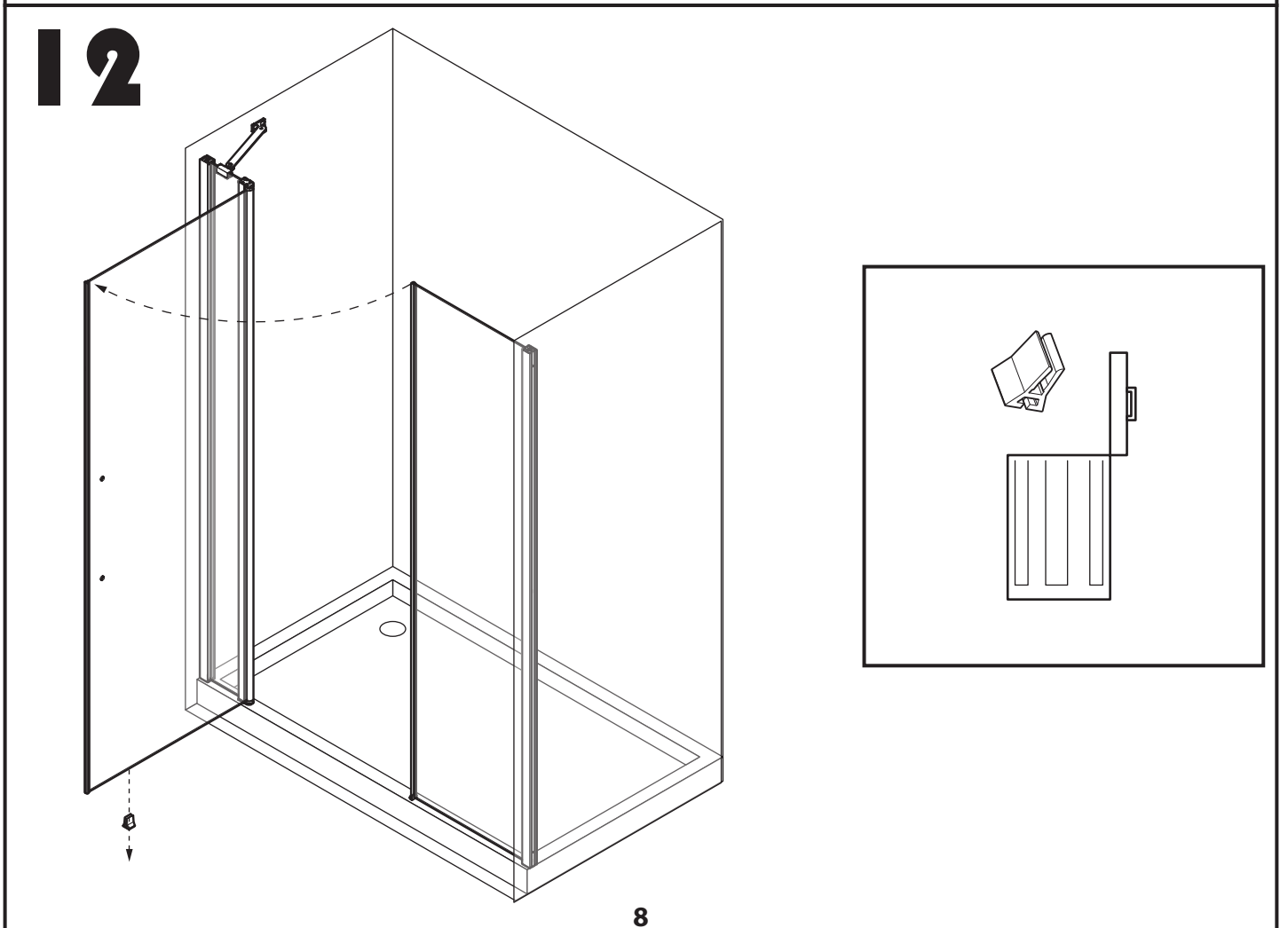
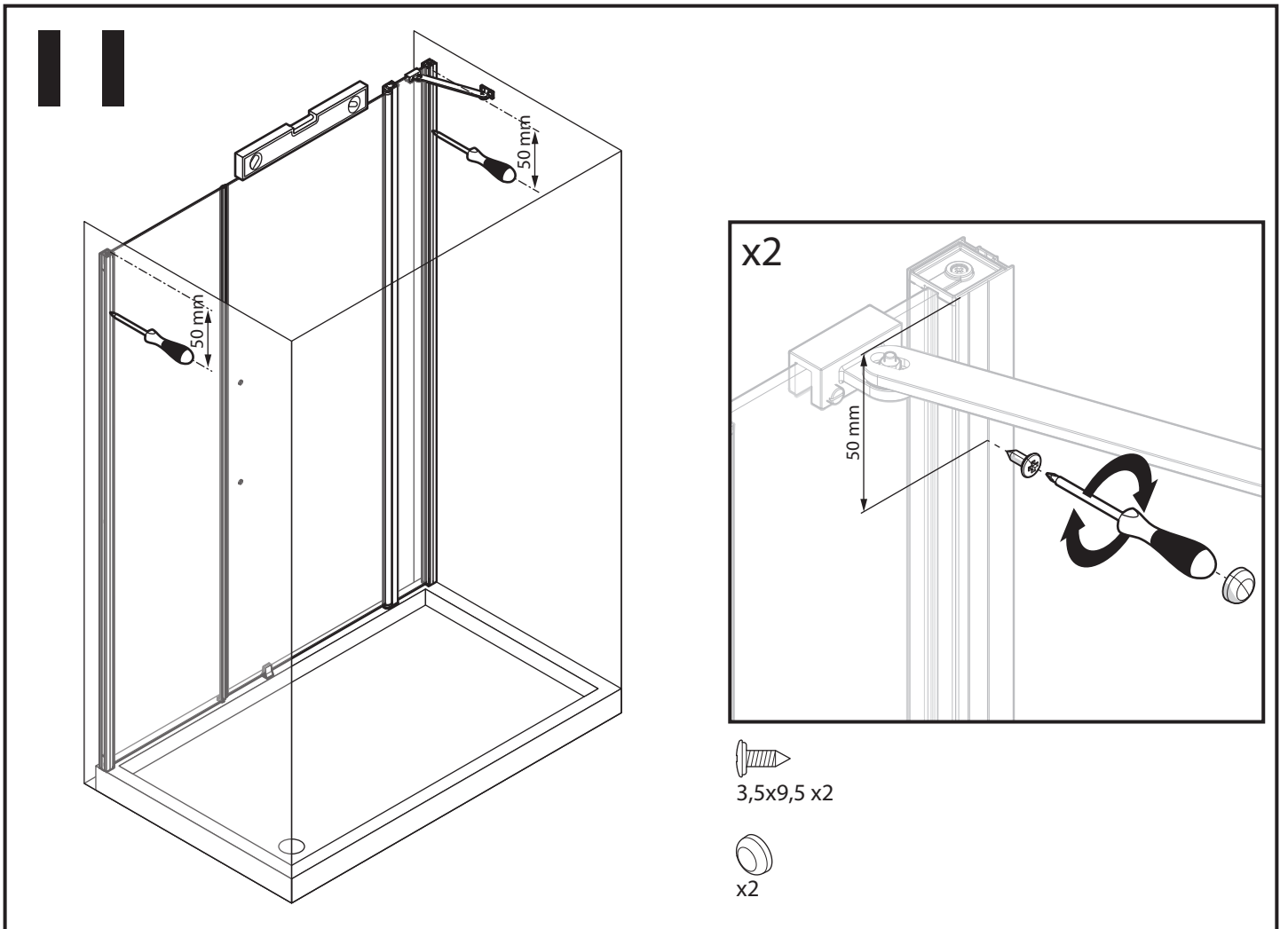


# 9



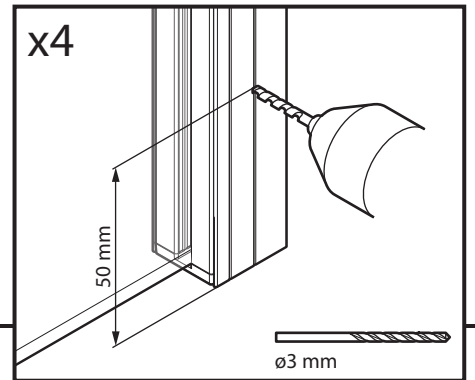
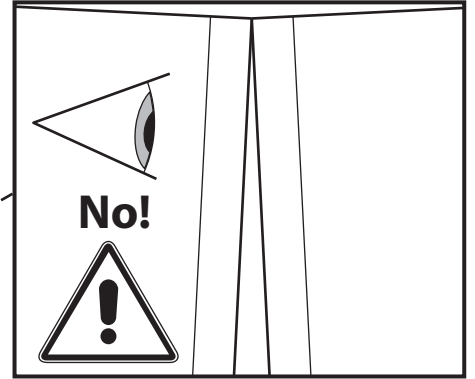
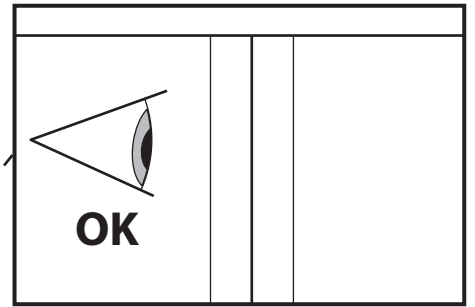
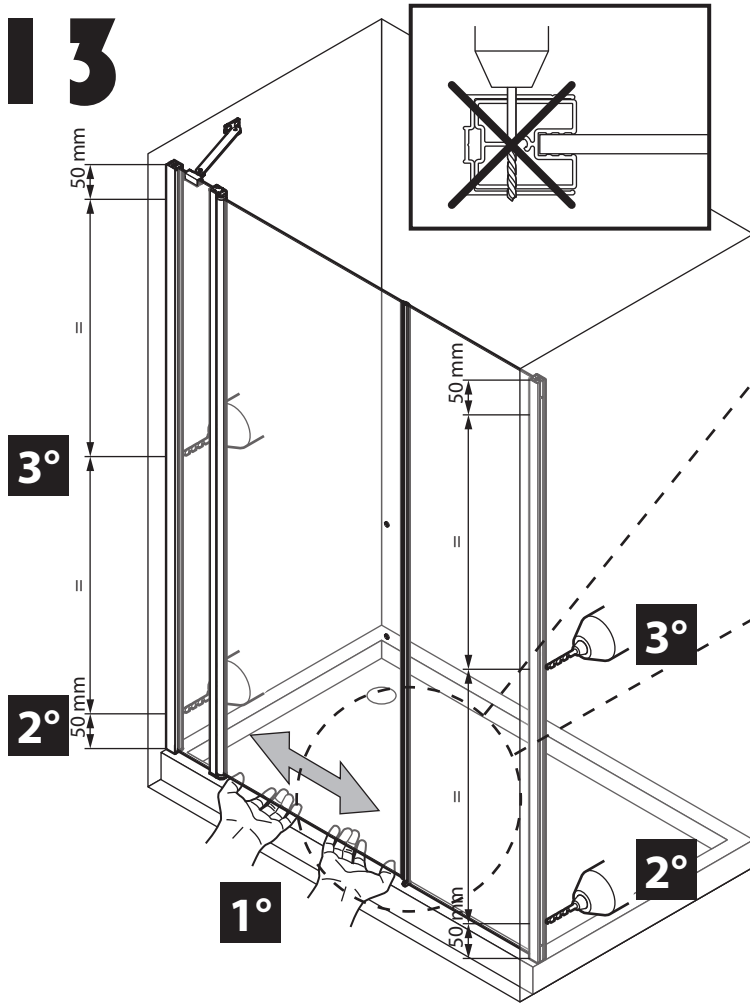
# 10



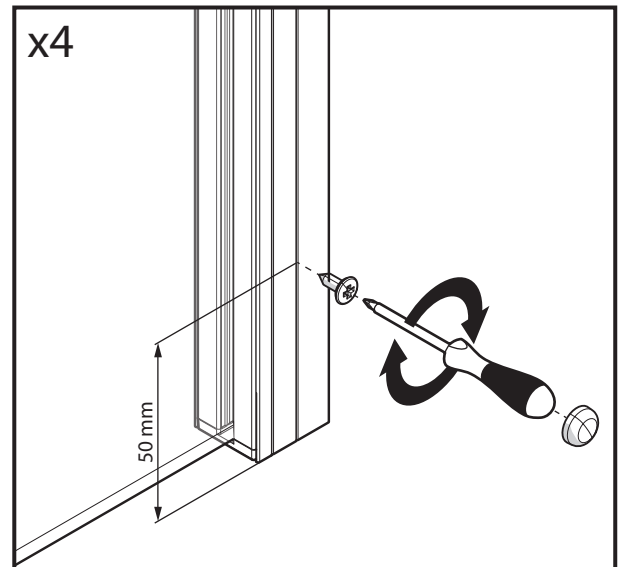
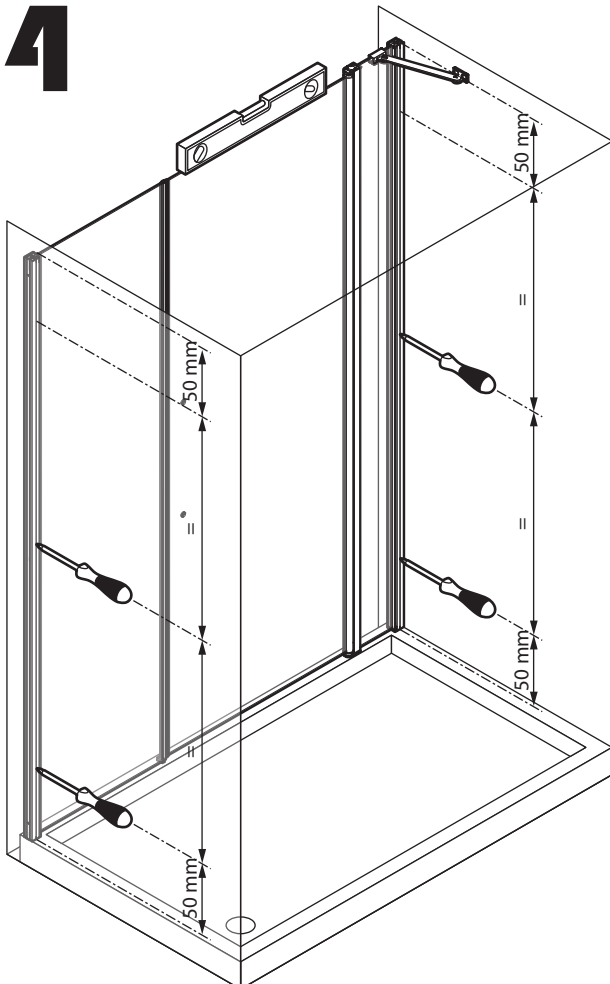




# 13



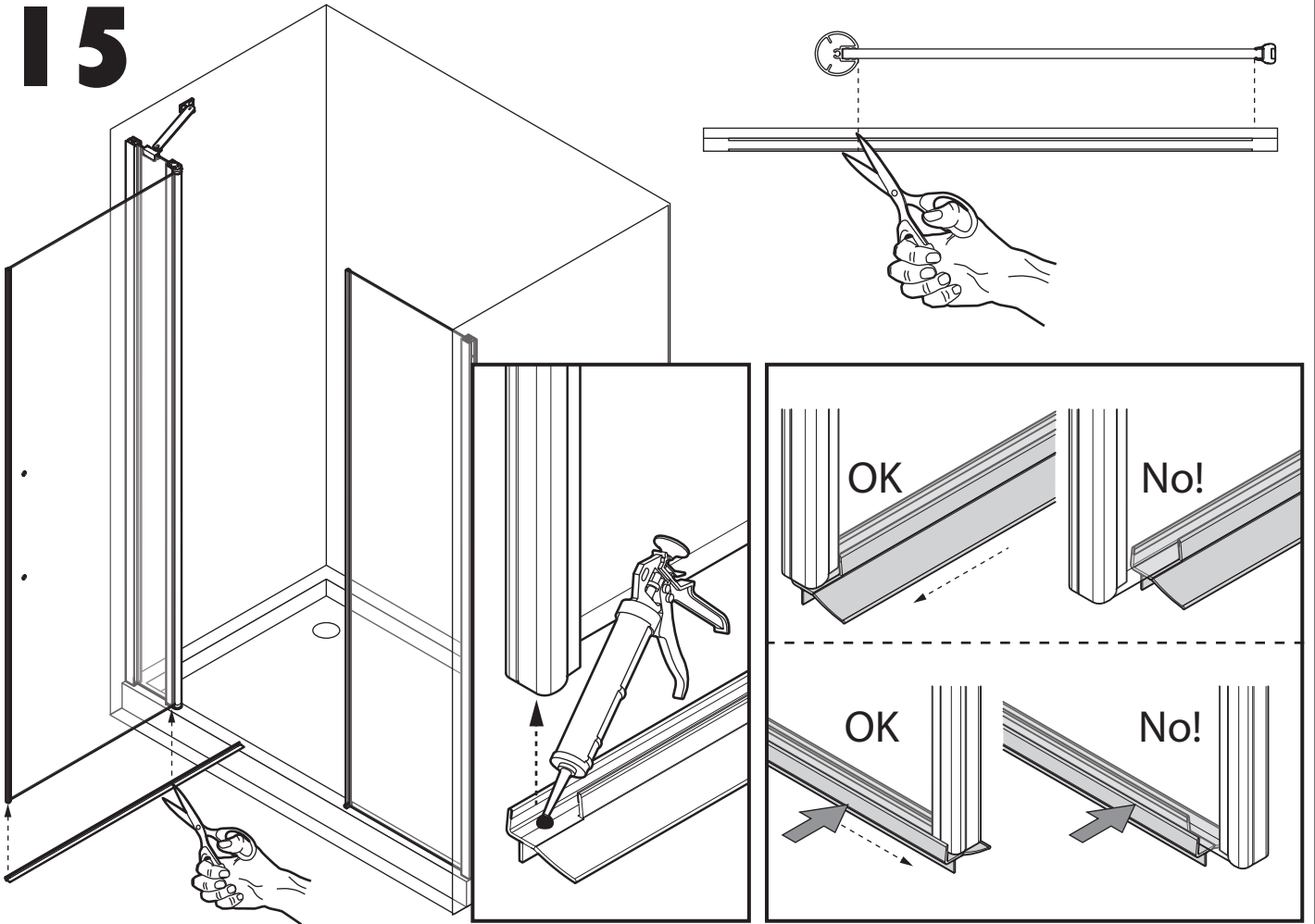
# 14



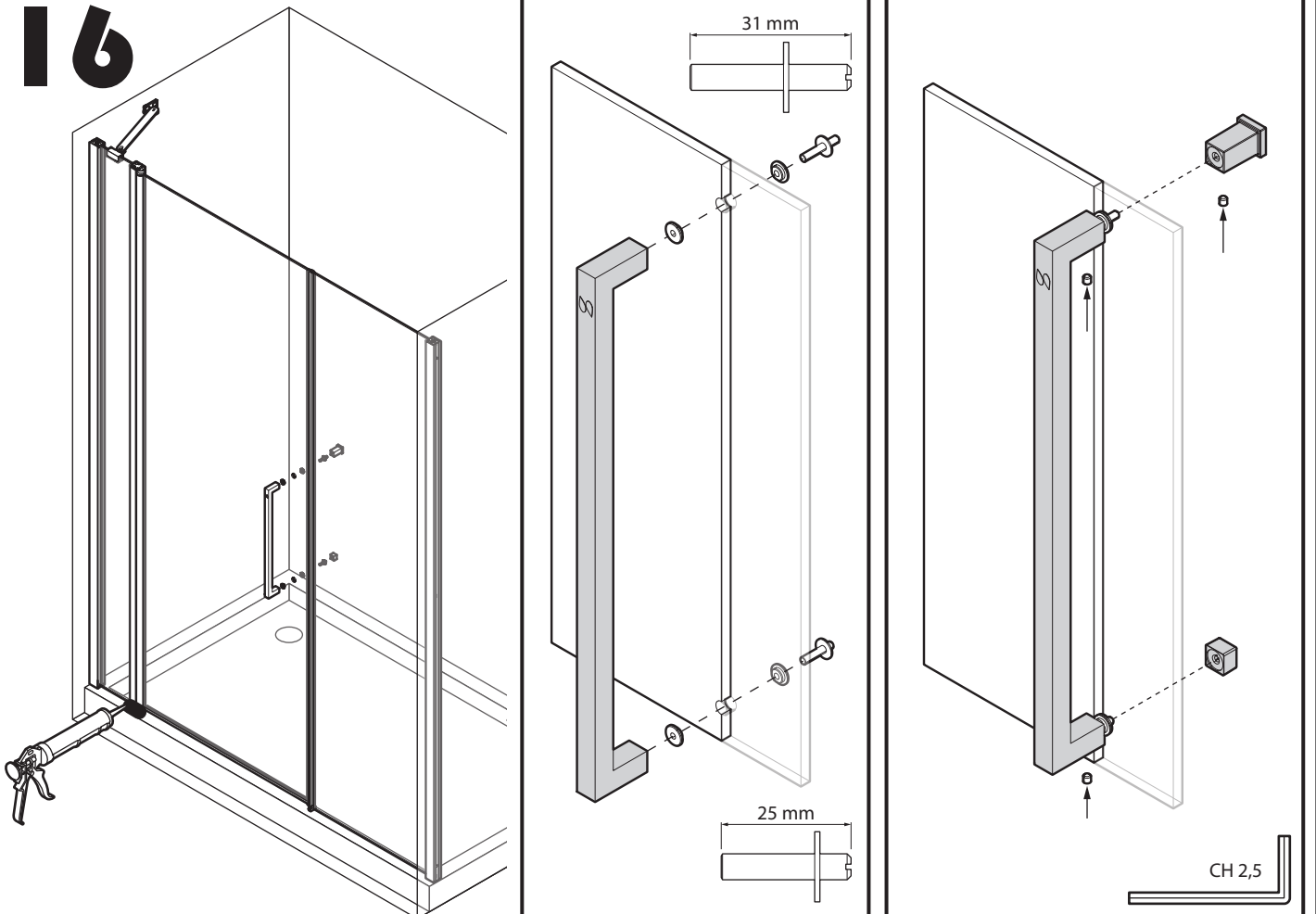
3,5x9,5 x4

x4

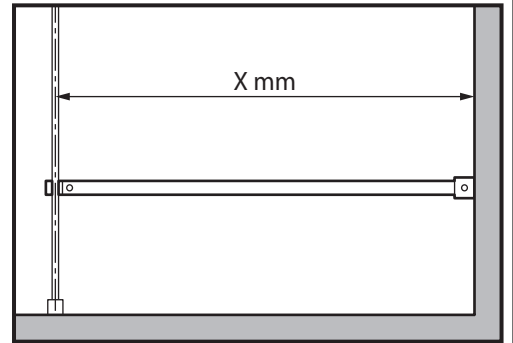
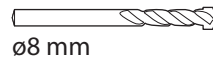
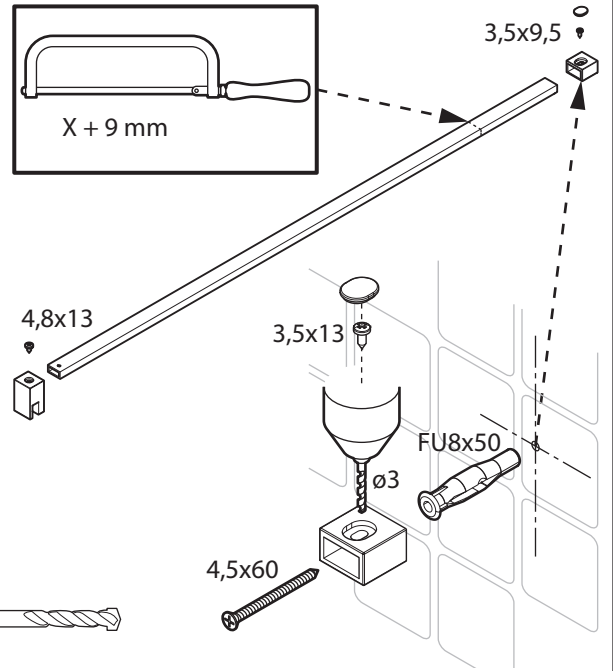
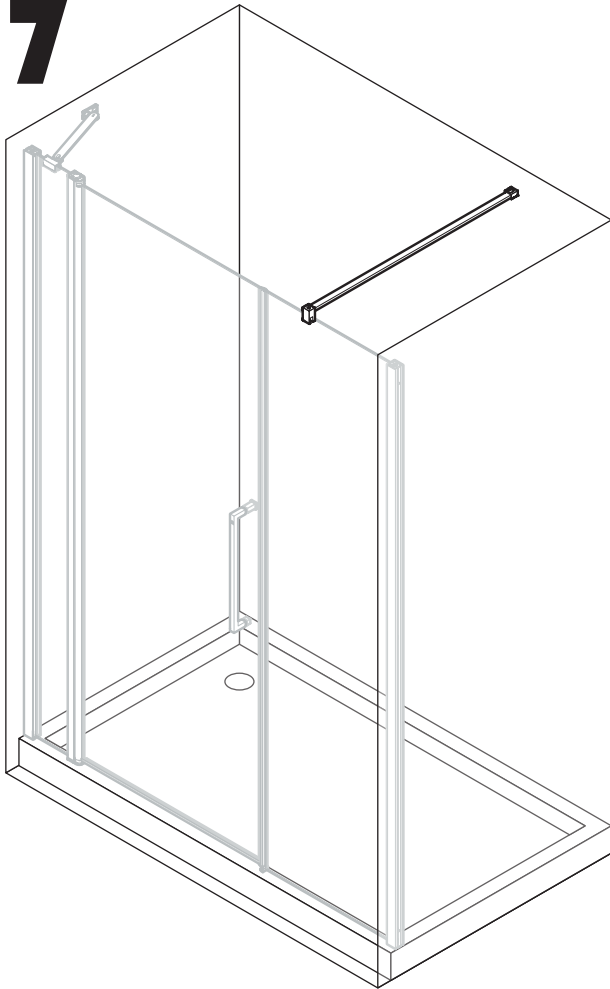
# 15



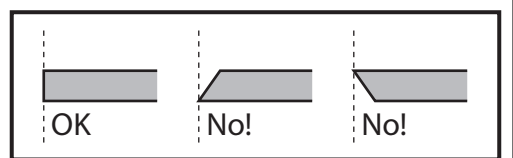
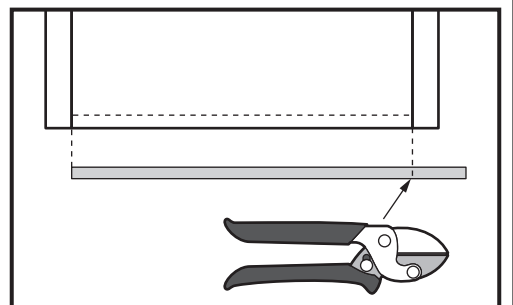
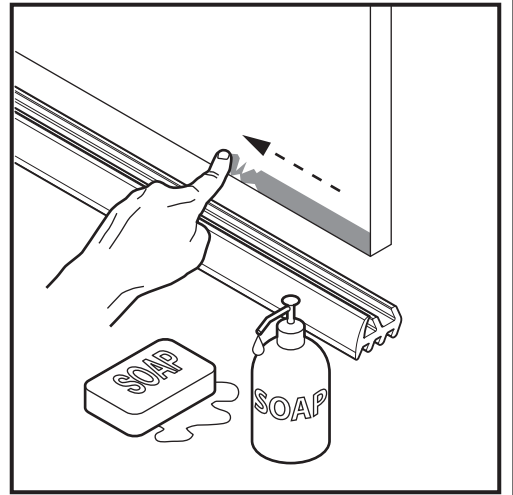
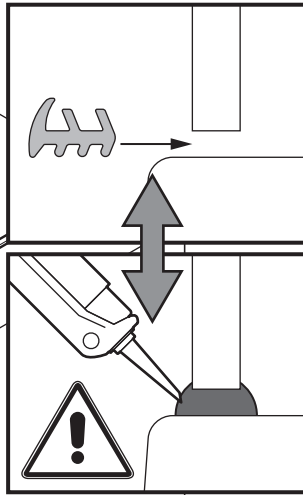
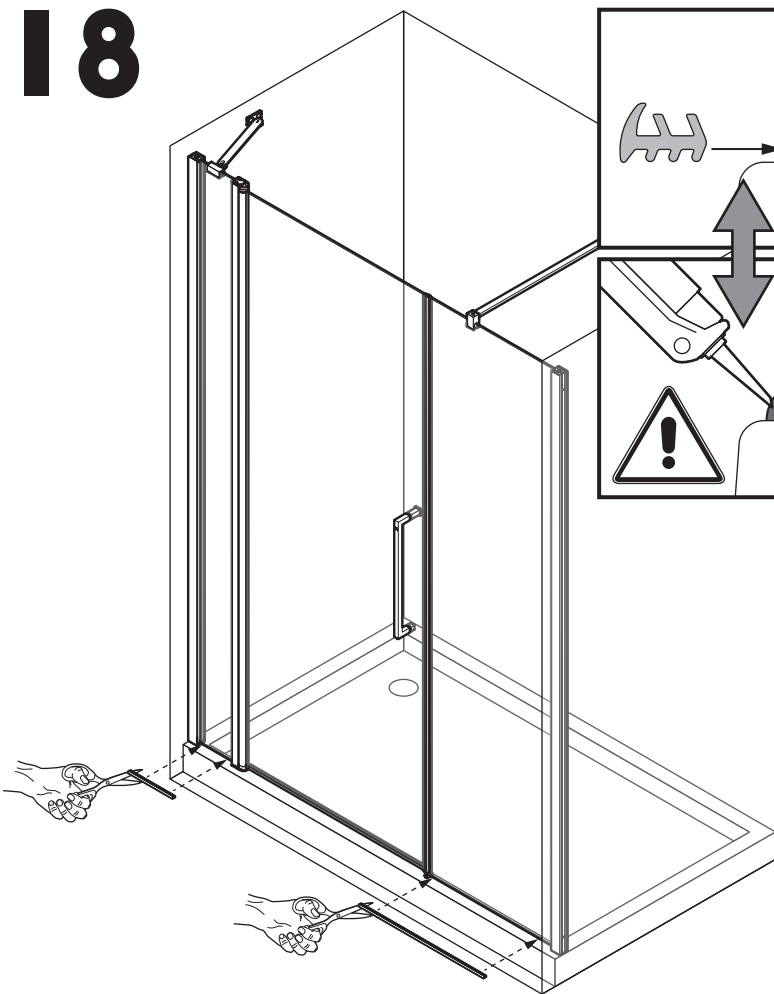
# 16



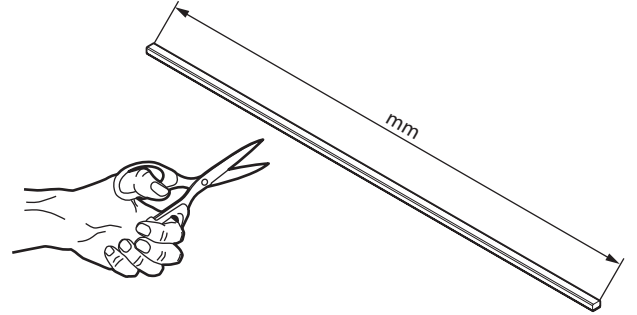
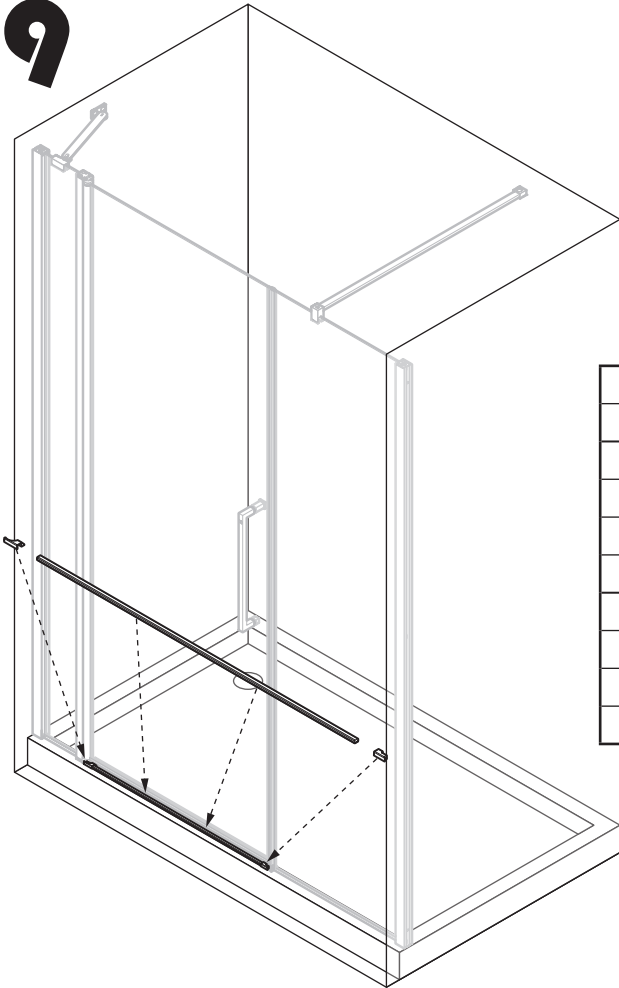
# 17



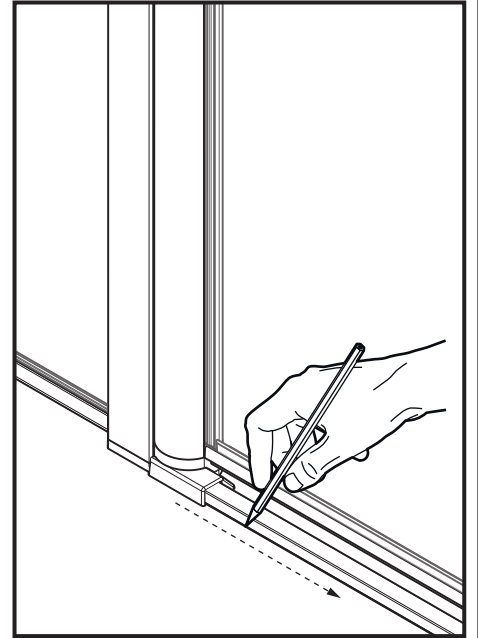
# 18



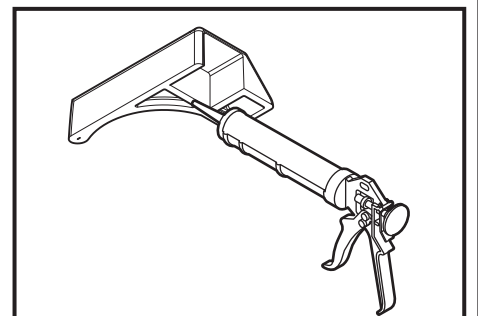
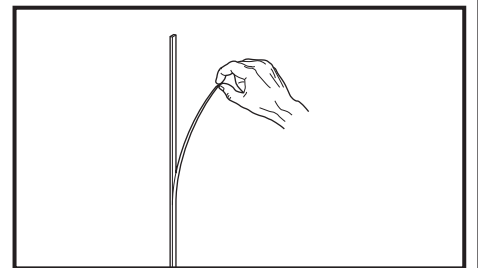
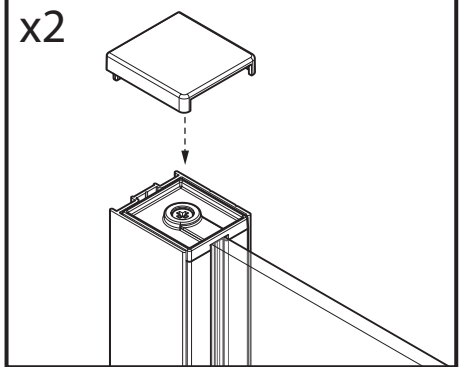
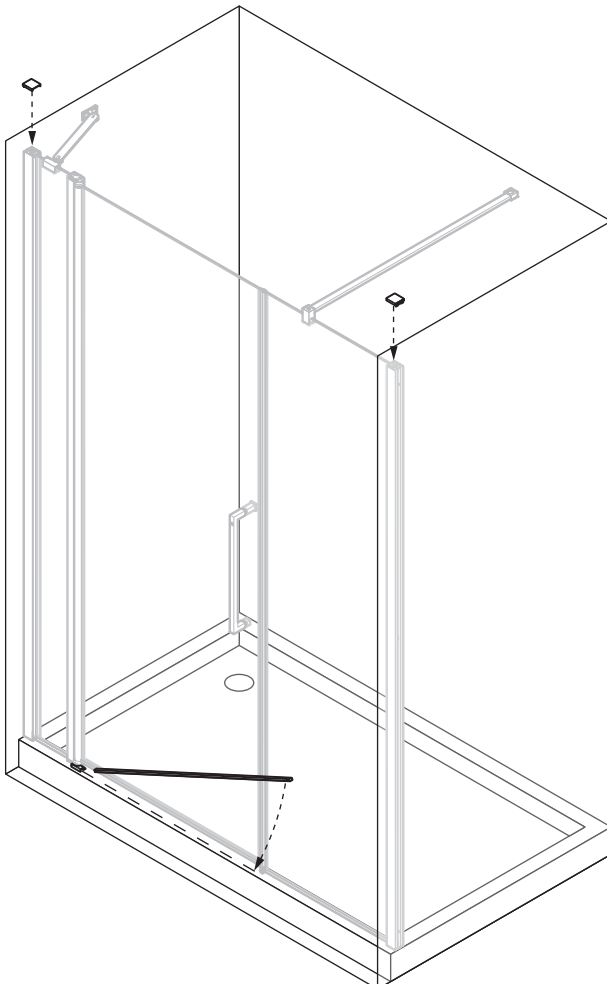
# 19



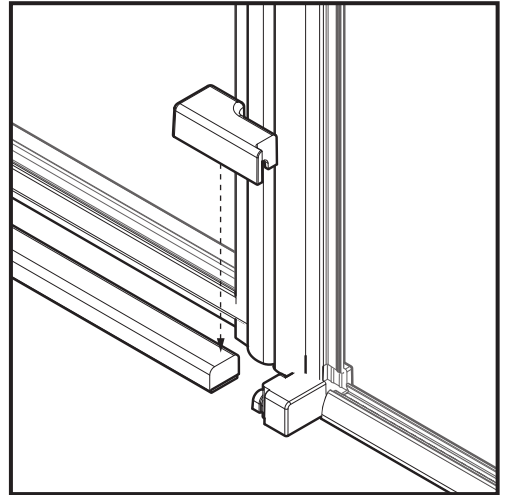
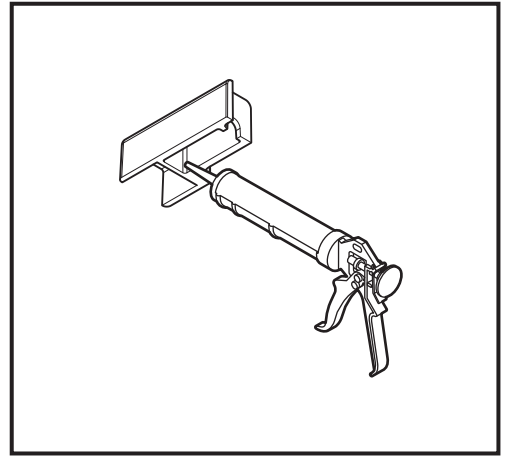
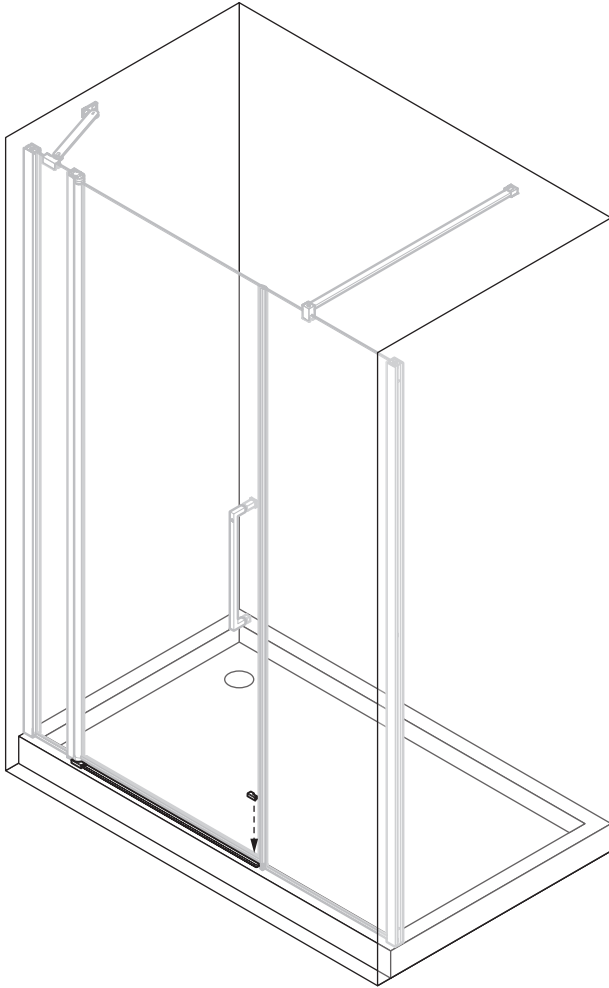
mod. 2PFL	mm
137-141	597
147-151	697
157-161	697
167-171	697
177-181	697
187-191	797
197-201	797
207-211	797
217-221	797



# 20



# 21



# 22

