

STEINBERG

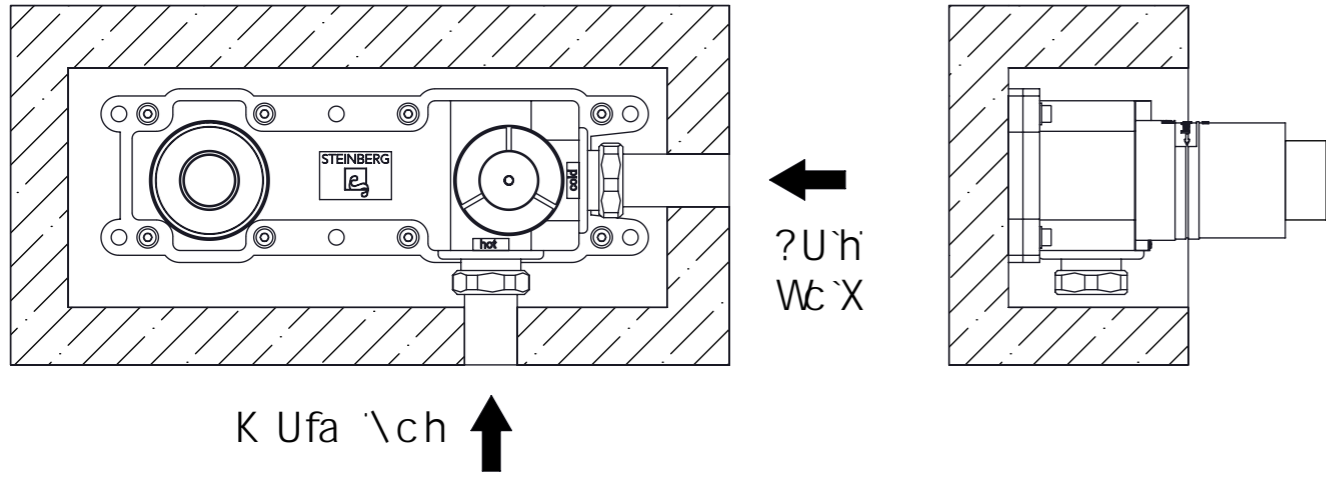


I bhYfdi m'9]bVUi \_" fdYf%#&"  
7 cbWU`YX `VcXm%#&"  
V

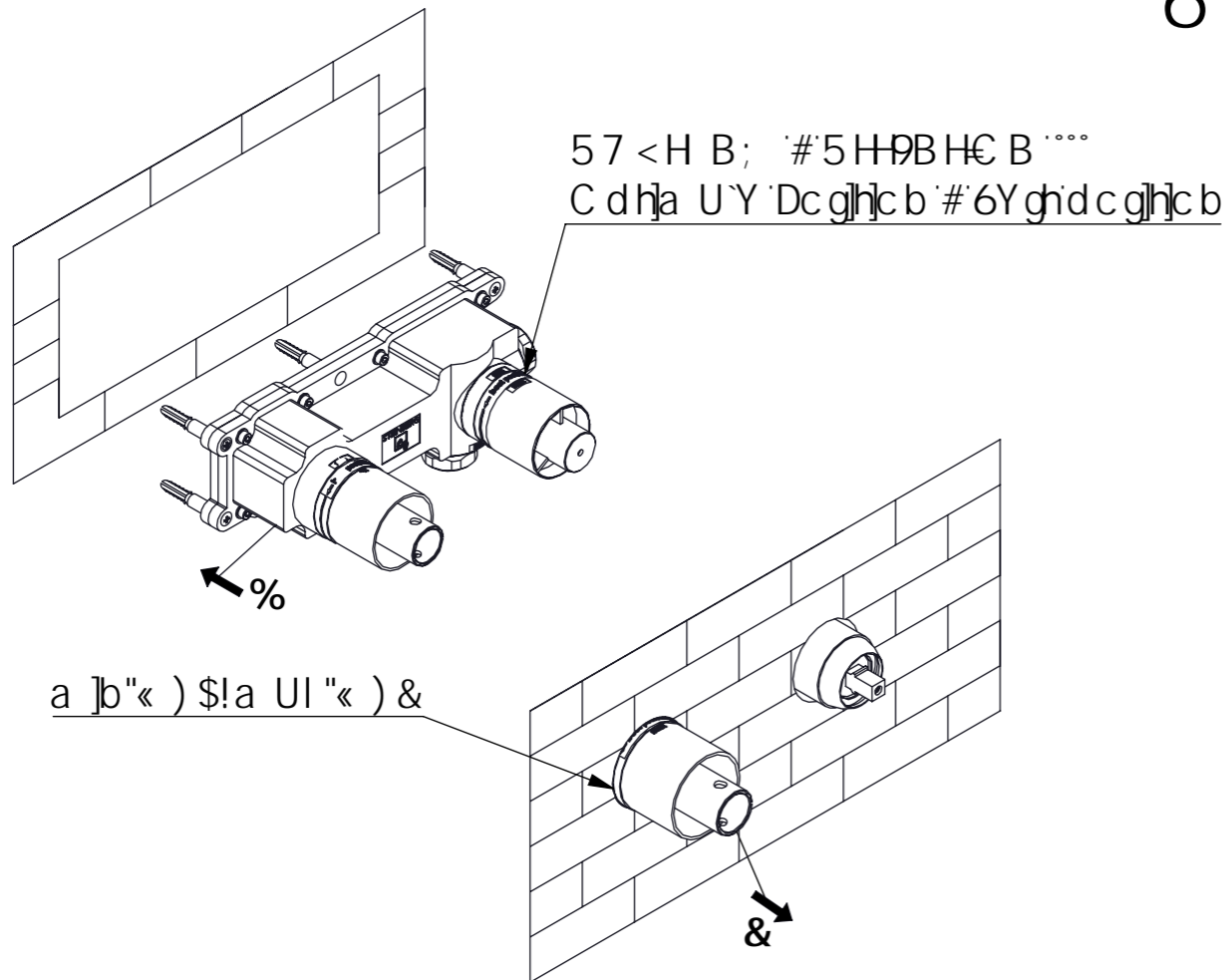
@

@

5



6



U

