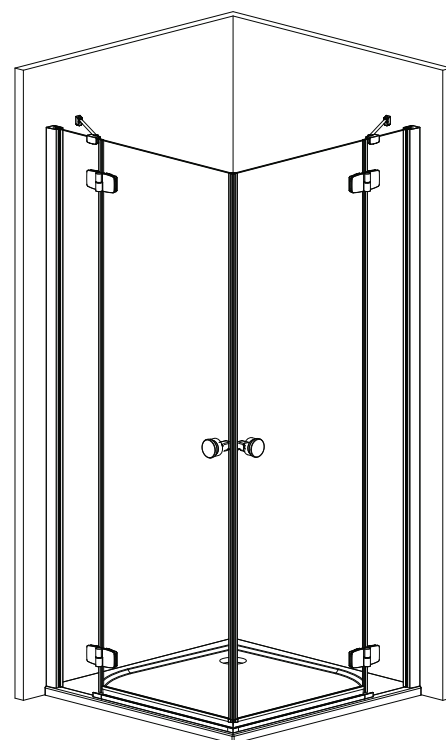
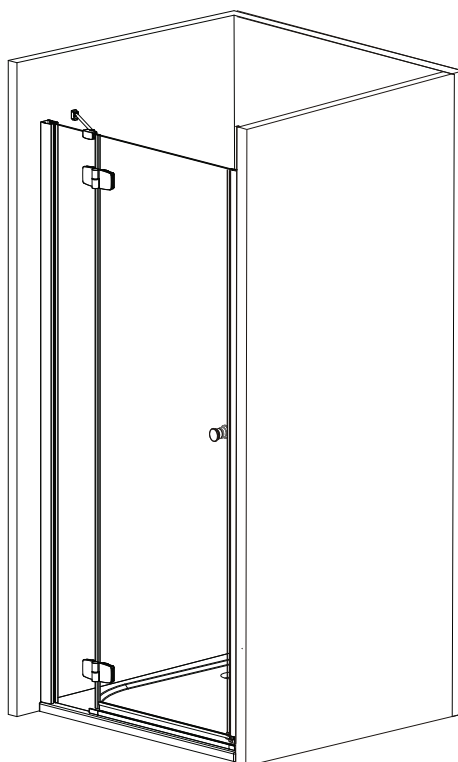


- D Montageanleitung
 E Mounting Instruction
 HR Uputi za upotrebu
 SLO Navodlilo za monta o kadi
 HU Útmutató a zuhanykabin beszereléséhez
 RO Instrucțiuni de montaj
 CZ Návod k montá I vany
 SK Návod na montáž
 TR Montaj Klavuzu
 BG Инструкции за монтаж



Symbol foto

201801



SANOTECHNIK
 Handelsgesellschaft m.b.H.
 Industriestraße 5
 A-2752 Wöllersdorf
 Tel.: +43 2622 / 421 93 0
 Fax: +43 2622 / 421 93 6
 office@sanotechnik.at
 www.sanotechnik.com



SANOTECHNIK Hungária Kft.
MAGYARORSZÁG
 Nagytétényi út 112
 H-1222 BUDAPEST
 Tel.: (+36 1) 424 06 70
 Fax: (+36 1) 424 06 79
 info@sanotechnik.hu
 www.sanotechnik.com



SC Sanotechnik COM Rumänien S.R.L.
ROMANIA
 Tancabesti, DN 1, KM 26,5
 Com. Snagov, jud. Ilfov
 Tel.: +40 21 350 13 43
 Fax: +40 21 350 13 44
 office@sanotechnik.ro
 www.sanotechnik.com

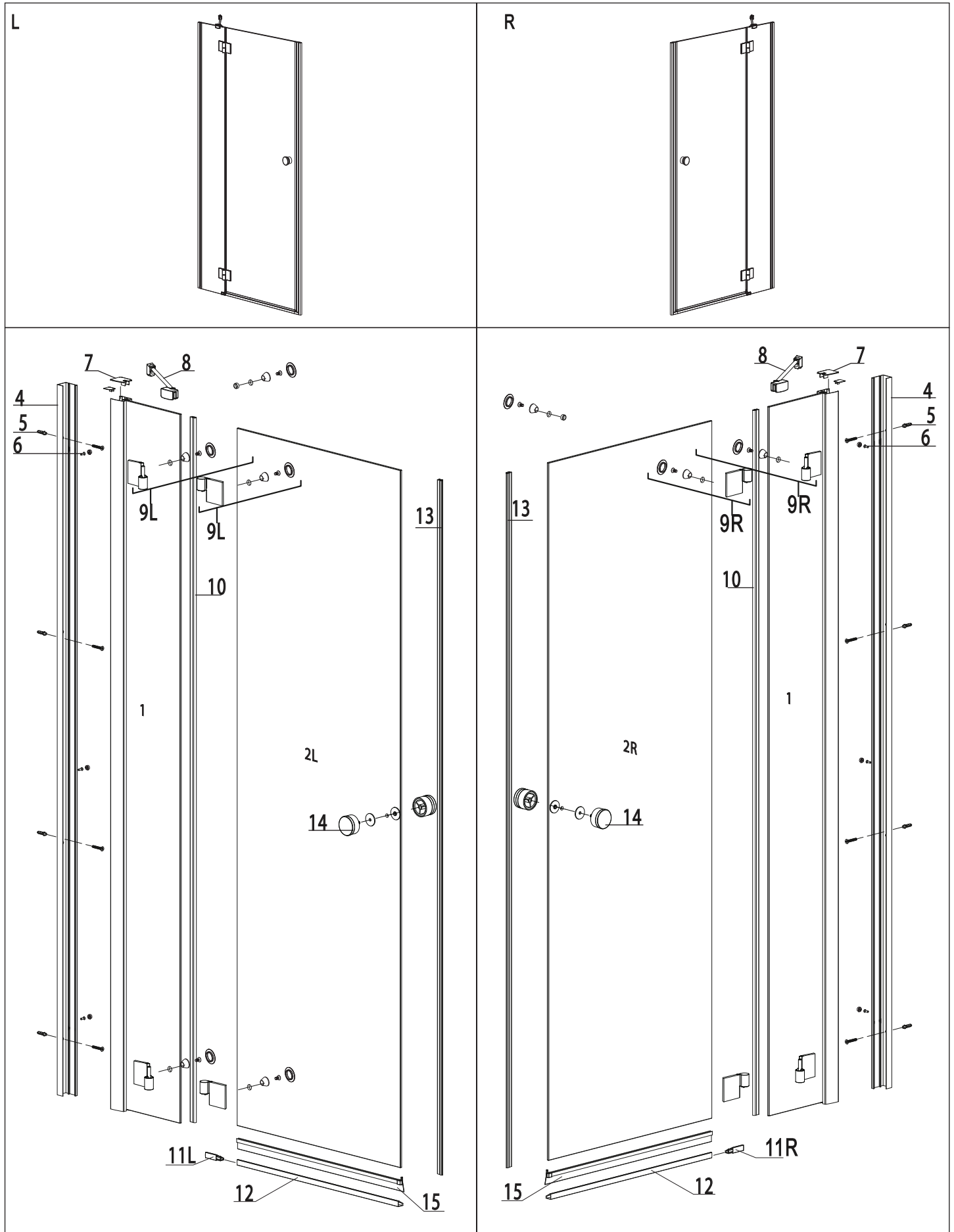


SANOTECHNIK d.o.o.
SLOVENIJA
 Stritarjevca ulica 24
 SI-2000 MARIBOR
 Tel. +3862/4213350
 Fax +3862/4213358
 info@sanotechnik.si
 www.sanotechnik.com

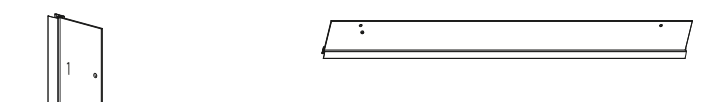
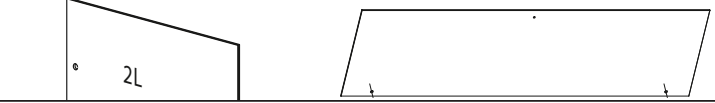
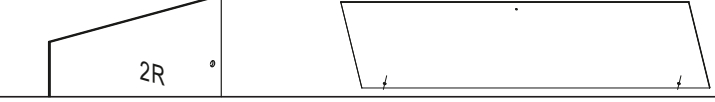
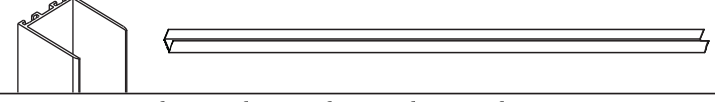

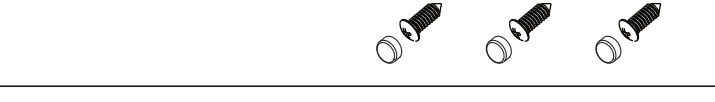
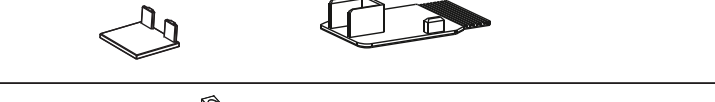

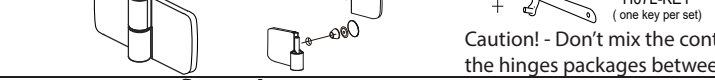
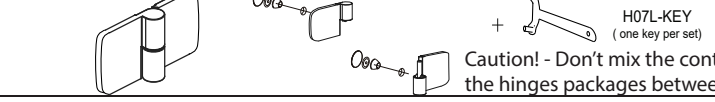
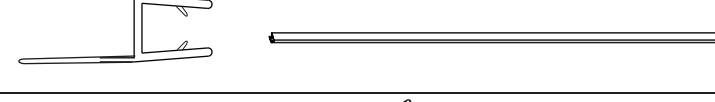
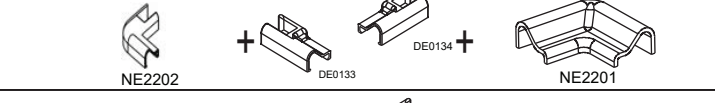
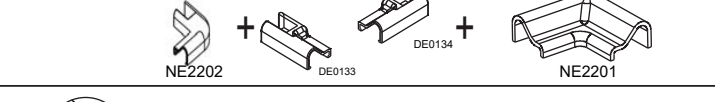
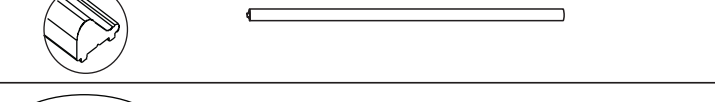


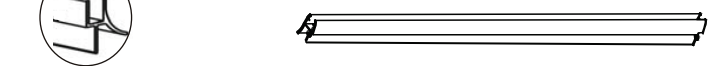


Sanotechnik Bulgaria Ltd.
BULGARIA
 3, Georgi Benev St.
 BG-4003 Plovdiv
 Tel: +359 32 961101
 Fax: +359 32 961102
 office@sanotechnik.bg
 www.sanotechnik.com

◆ Assembly Drawing

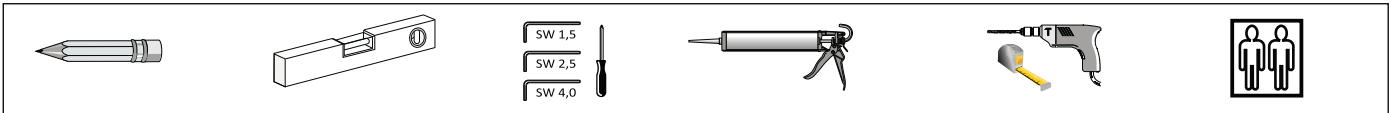


◆ Box Contents

1			X1
2L			X1
2R			X1
4	DE0127RO		X1
5	DE0138		X5
6	DE0137		X3
7	NE2204		X1
8	DE0136		X1
9L*	H07L	 <p>H07L-KEY (one key per set) Caution! - Don't mix the content of the hinges packages between them.</p>	X2
9R**	H08R	 <p>H07L-KEY (one key per set) Caution! - Don't mix the content of the hinges packages between them.</p>	X2
10	DE0156		X1
11R			X1
11L			X1
12	NE1719RO		X1
13	NE2304		X1
14	NE0901		X1
15	NE2409		X1

*only for left enclosures
**only for right enclosures

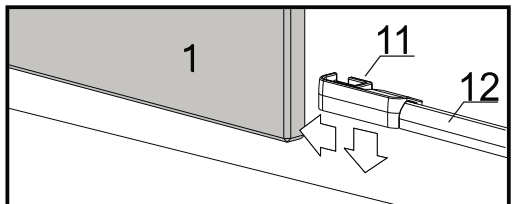
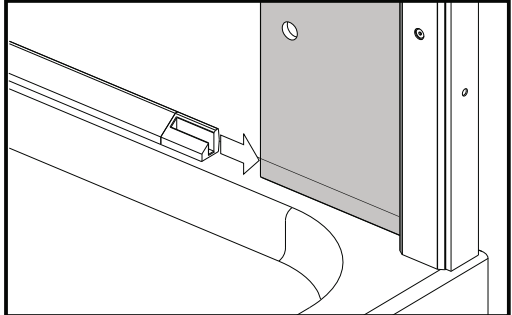
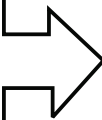
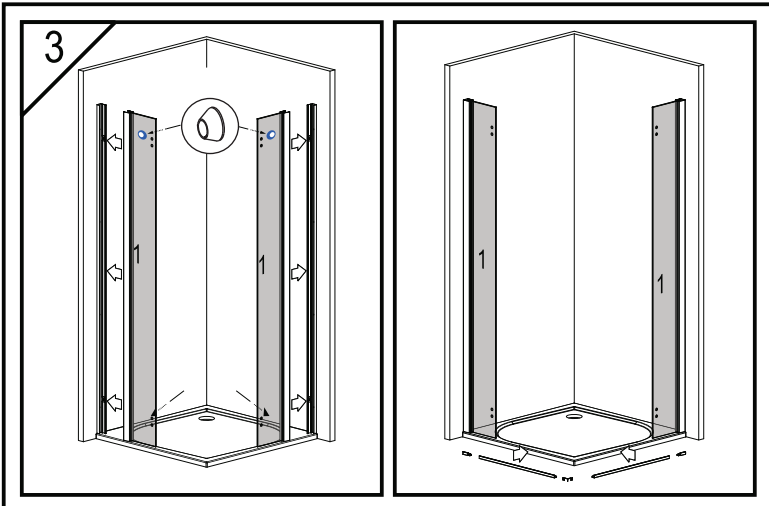
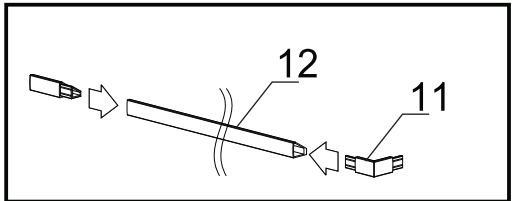
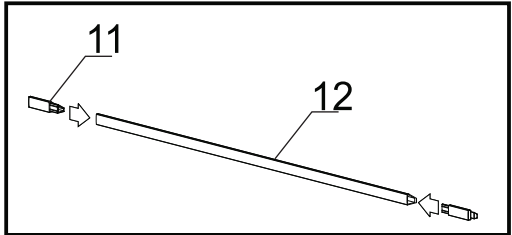
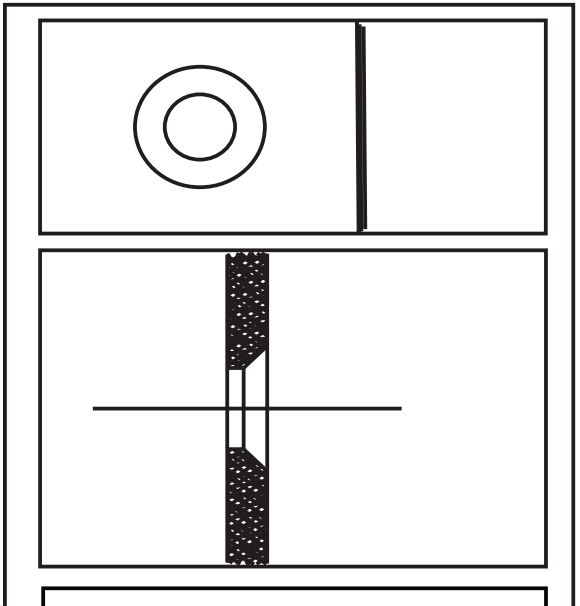
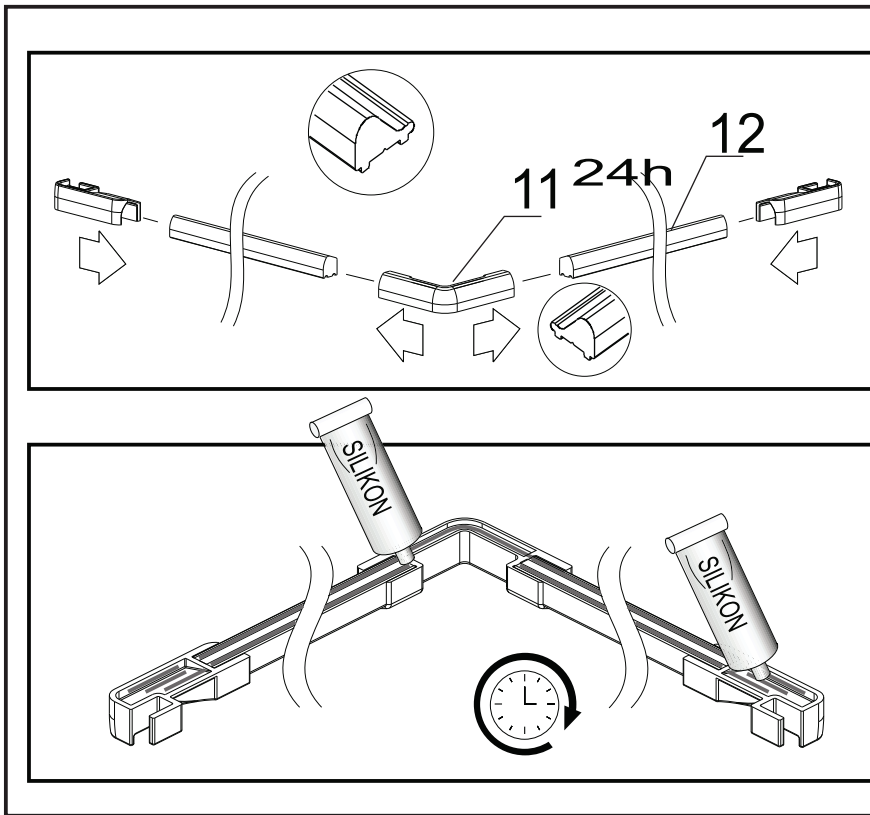
◆ Installation Steps

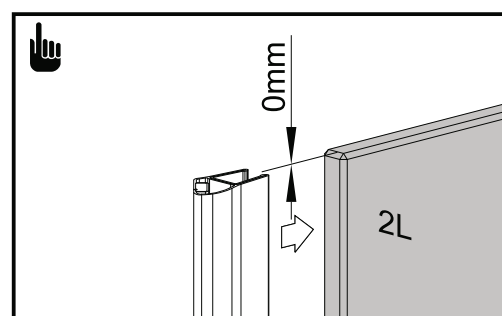
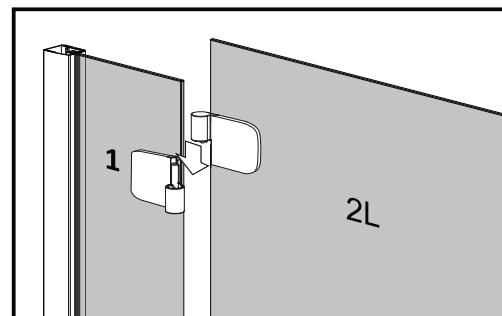
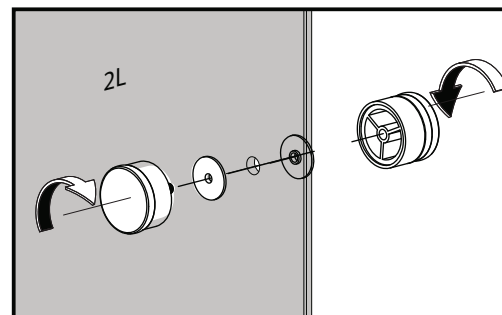
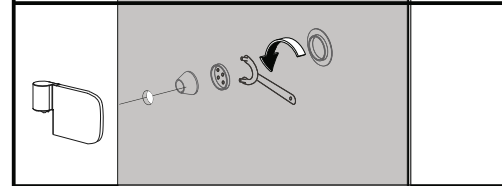
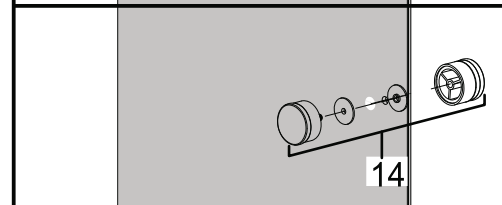
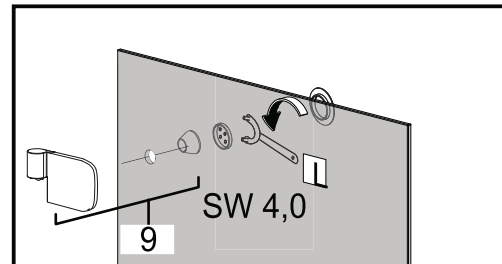
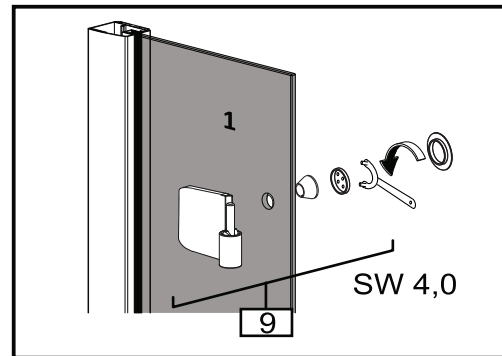
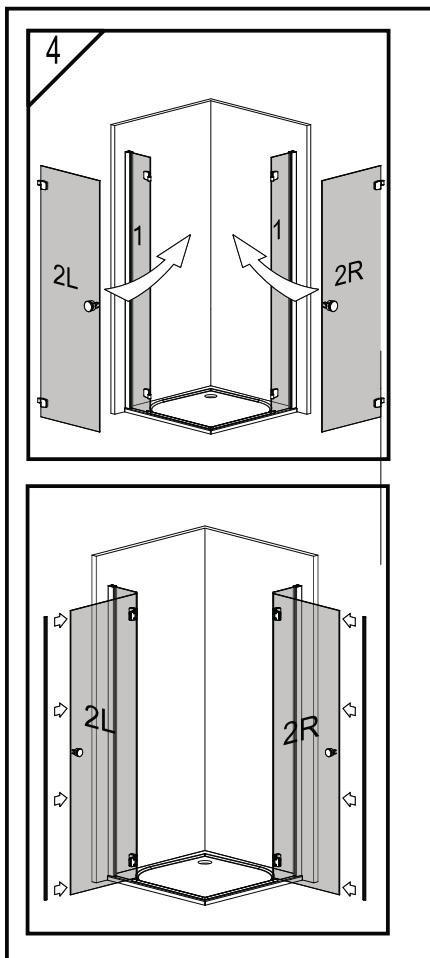


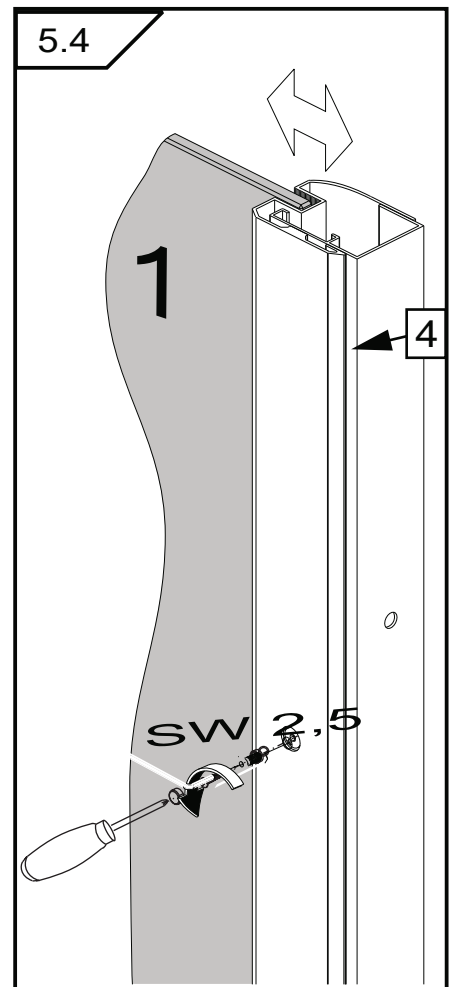
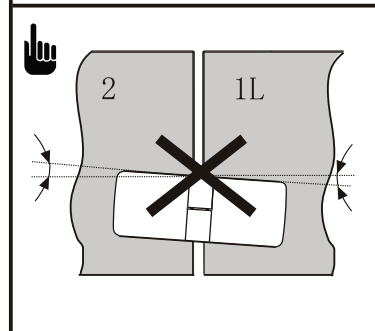
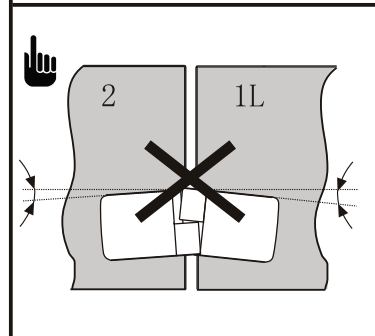
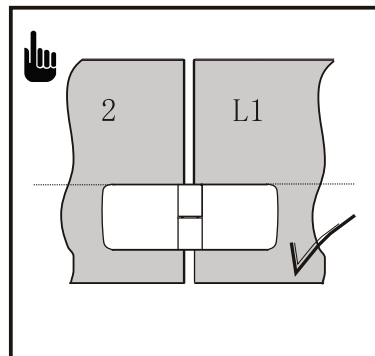
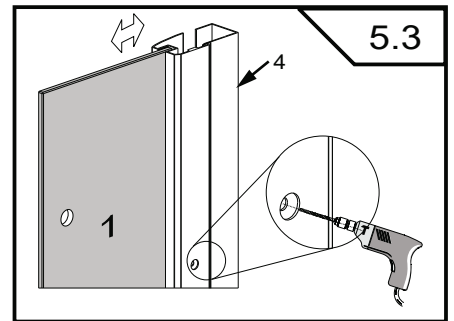
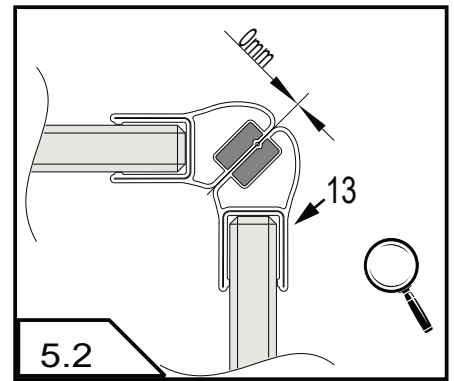
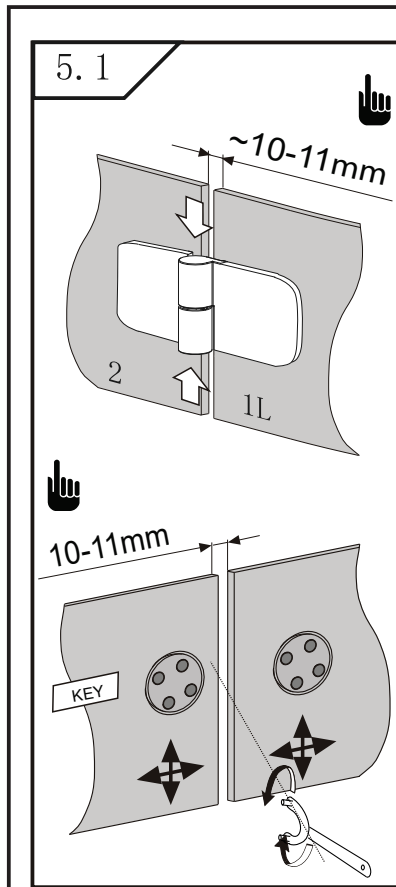
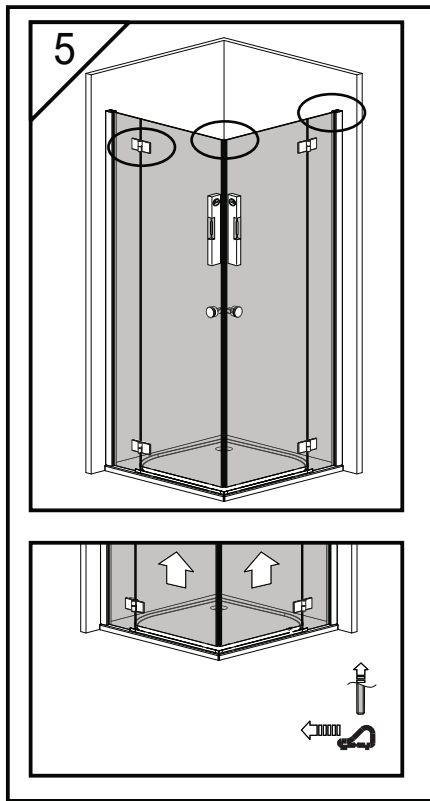
The main installation diagrams are organized as follows:

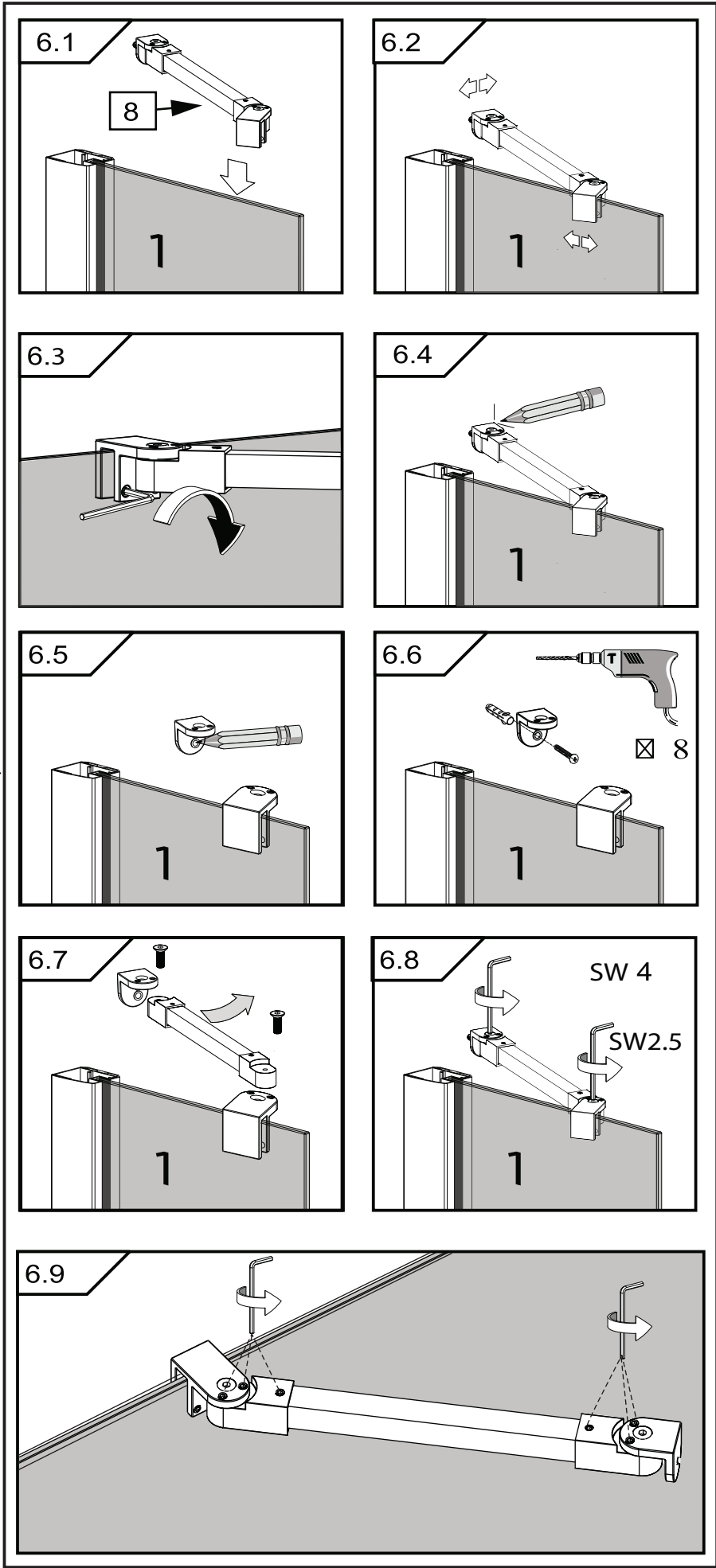
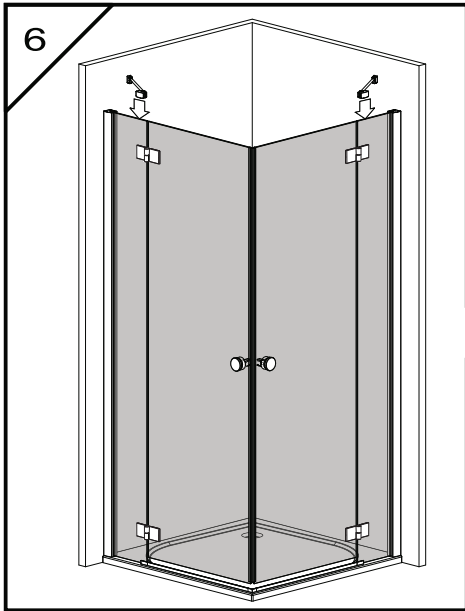
- Top Left:** A vertical sequence of six diagrams showing the preparation of the wall. It starts with marking the wall with a pencil, then using a spirit level to ensure the marks are horizontal. The next steps show drilling holes and inserting wall anchors.
- Top Right:** A diagram showing a vertical panel (4) being secured to the wall with a screw (5).
- Middle Left:** A diagram showing a shower tray being placed on the floor.
- Middle Right:** A diagram showing the shower tray being leveled with spirit levels.
- Bottom Left:** A diagram showing the shower tray being secured to the floor with a screw.
- Bottom Center:** A large diagram showing the shower tray (2) being fitted into the shower enclosure frame. It includes dimensions X and Y, and a detail of the tray's edge (4).
- Bottom Right:** A diagram showing the shower enclosure frame being secured to the wall with an impact driver and a screw (Ø8).
- Bottom Right (Table):** A table providing dimensions for different shower enclosure sizes.

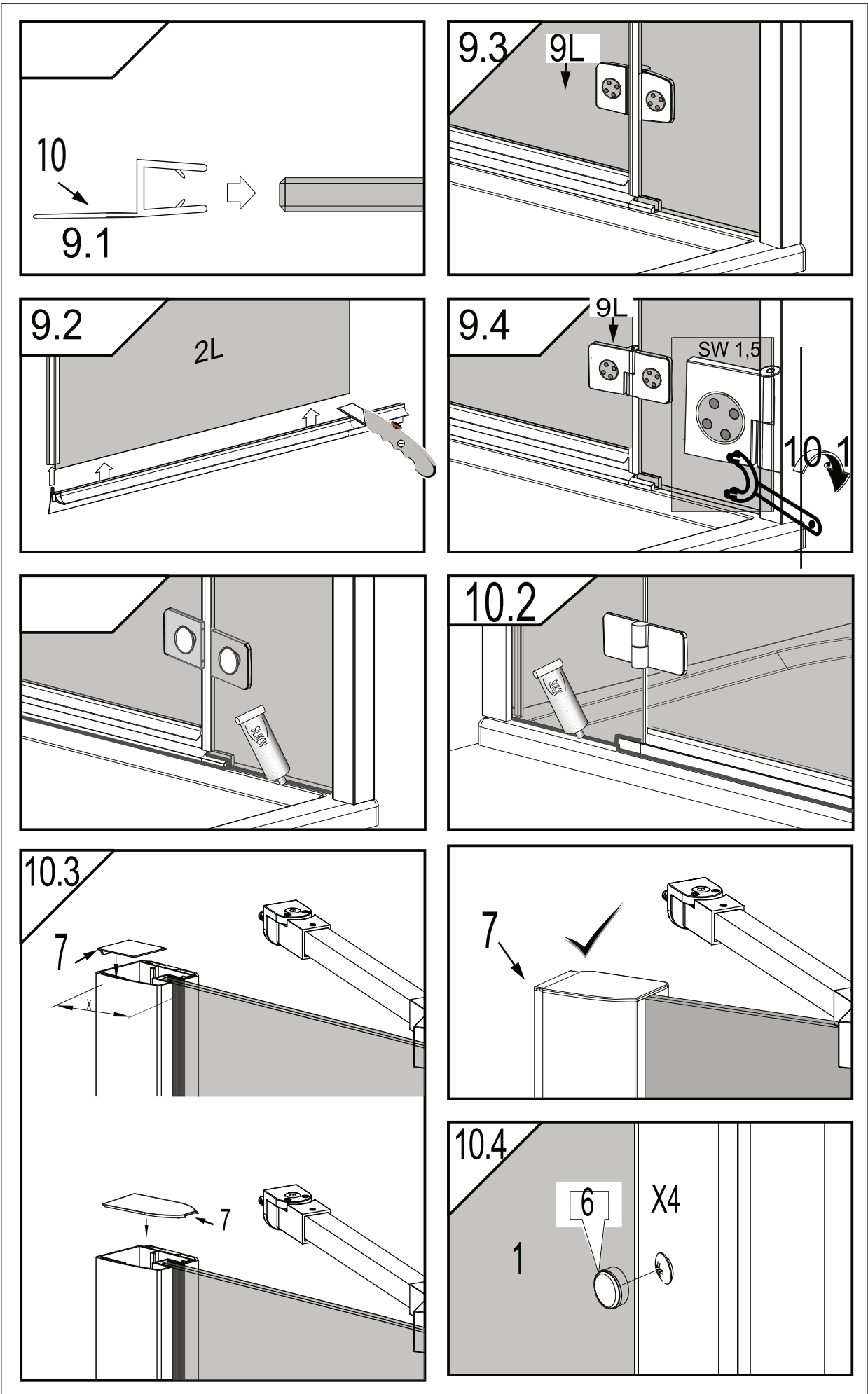
K/L	800/800	900/900	1000/1000
X	73,8-75,8	83,8-85,8	93,8-95,8
Y	73,8-75,8	83,8-85,8	93,8-95,8

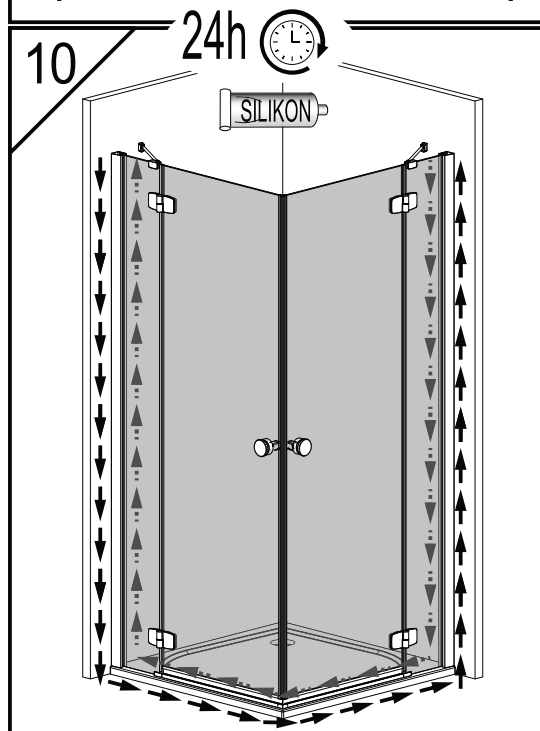
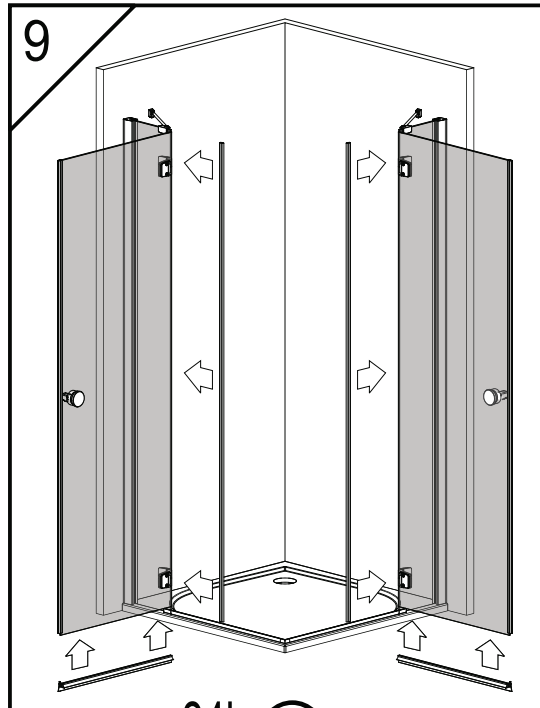












WE RECOMEND THE REMOVAL
OF THE PERIMETER GLASS
PROTECTION AFTER THE
ASSEMBLY IS COMPLETE
OR SAFE TO HANDLE.



Sanotechnik RUMÄNIEN S.R.L
ROMANIA
Tancabesti, DN 1, KM 26,5
Com. Snagov, jud. Ilfov
Tel.: +40 21 350 13 43
Fax: +40 21 350 13 44

office@sanotechnik.ro
www.sanotechnik.com



SANOTECHNIK d.o.o
SLOVENIA
Stritarjeva ulica 24
SI-2000 Maribor
Tel.: +386 2/421 33 50
Fax: +386 2/421 33 58

info@sanotechnik.si
www.sanotechnik.com



SANOTECHNIK Hungária Kft.
HUNGARY
Nagytétényi út 112
H-1222 Budapest
Tel.: +36 1/424 06 70
Fax: +36 1/424 06 79

info@sanotechnik.hu
www.sanotechnik.com



FORMATIC Ltd.
BULGARIA
3, Georgi Benev St.
BG-4003 Plovdiv
P.O. BOX 85
Tel.: +359 32/9611 01
Fax: +359 32/9611 02

Office@sanotechnik.bg



Sanotechnik
Handelsgesellschaft m.b.H.
Industriestraße 5
A-2752 Wöllersdorf
Tel.: 0043/2622/421 93-0
Fax. 0043/2622/421 93-6

Email: office@sanotechnik.at
www.sanotechnik.com