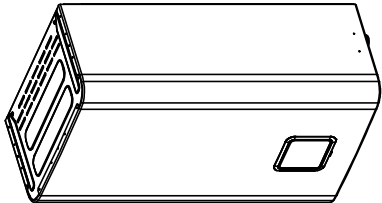


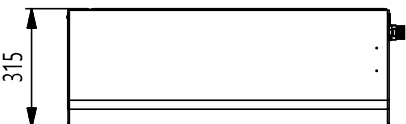
4. Dimensions

4.1 Dimensional Drawing (External)

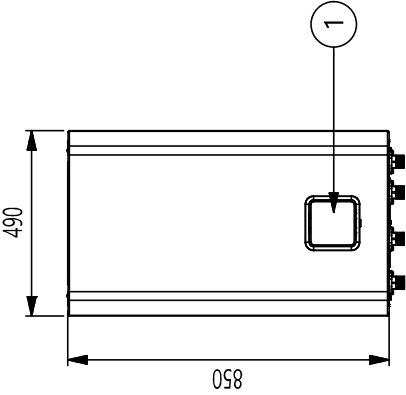
FHNW16606C0 [HN1616HC NK0], FHNW16809C0 [HN1639HC NK0]



3D VIEW

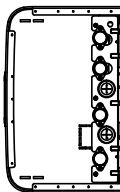


315



490

850



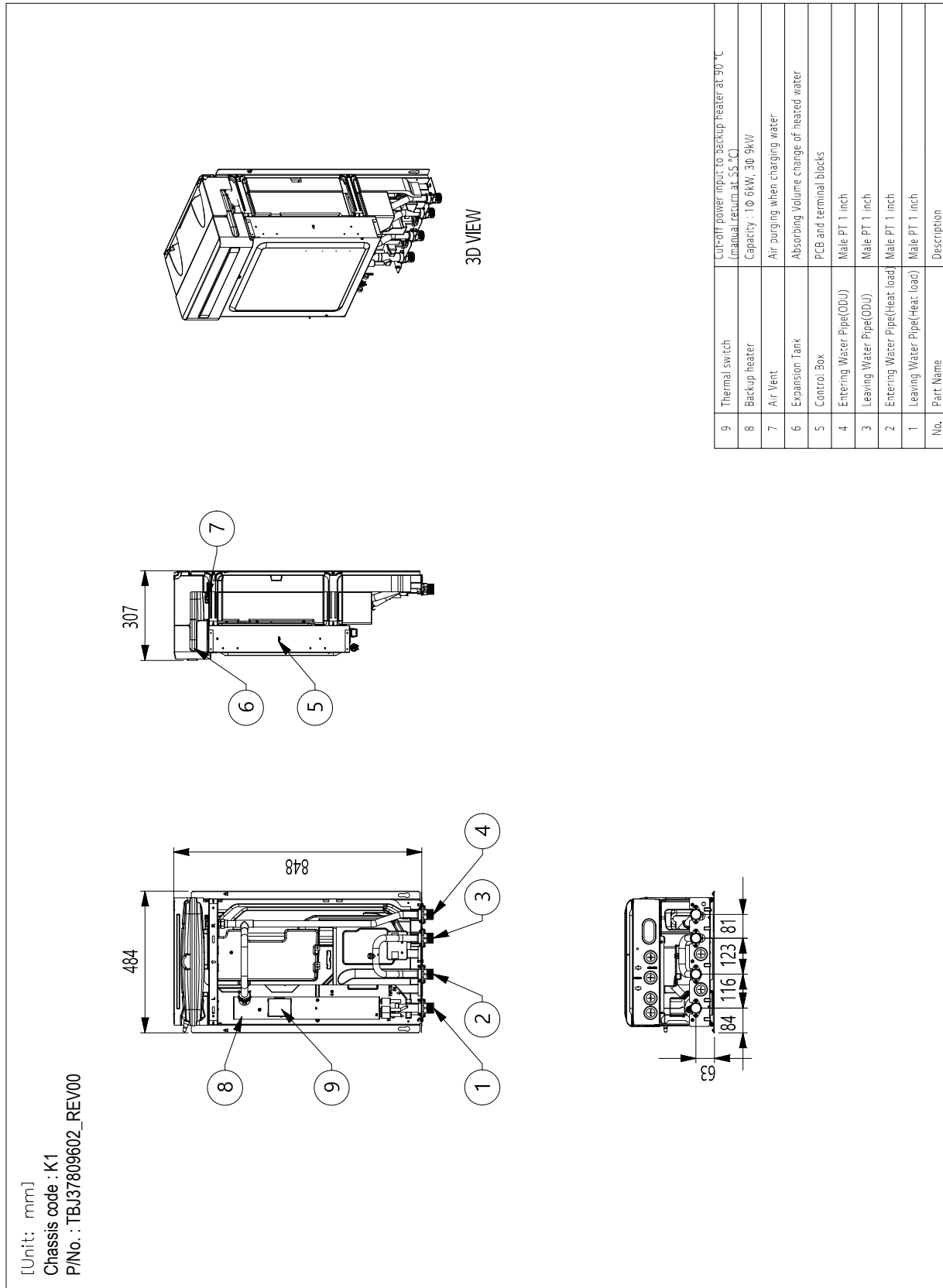
	Control Panel No.	Built-in Remote Controller Description
1		

[Unit: mm]
 Chassis code : K1
 P/No. : TBJ37809601_REV00

4. Dimensions

4.2 Dimensional Drawing (Internal)

FHNW16606C0 [HN1616HC NK0], FHNW16809C0 [HN1639HC NK0]



[Unit: mm]

Chassis code : K1

P/No. : TBJ37809602_REV00